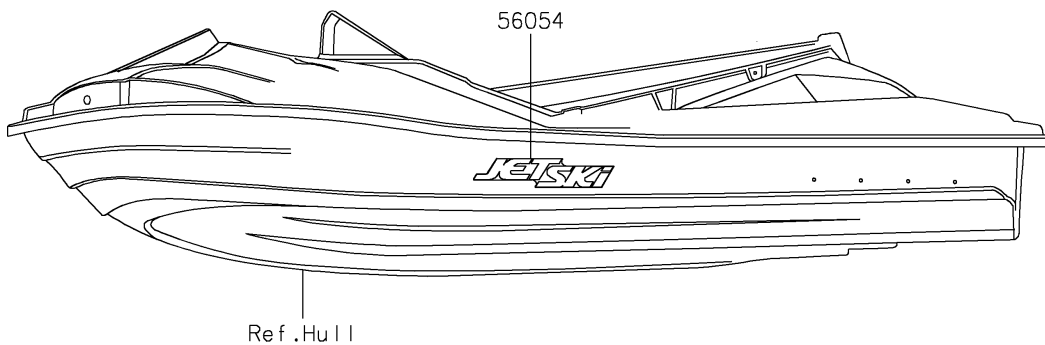
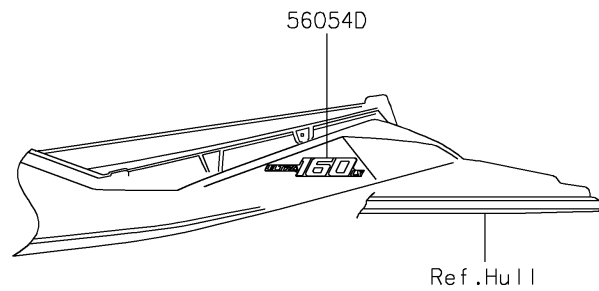
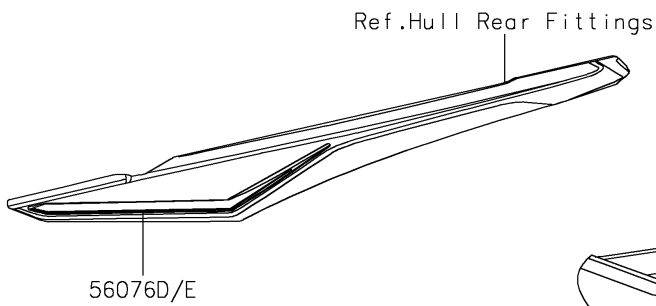
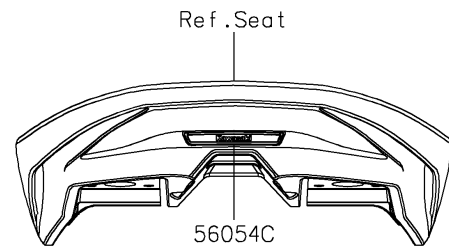
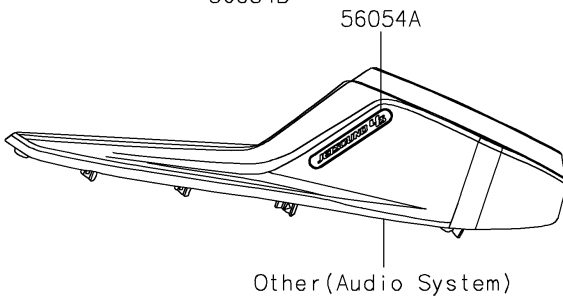
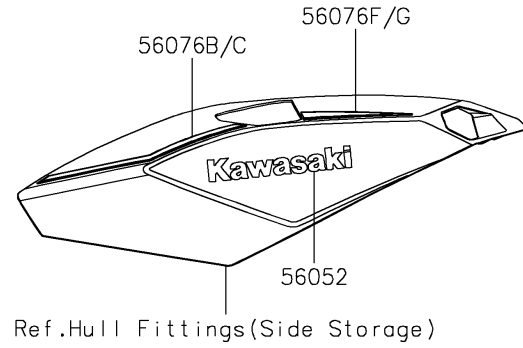
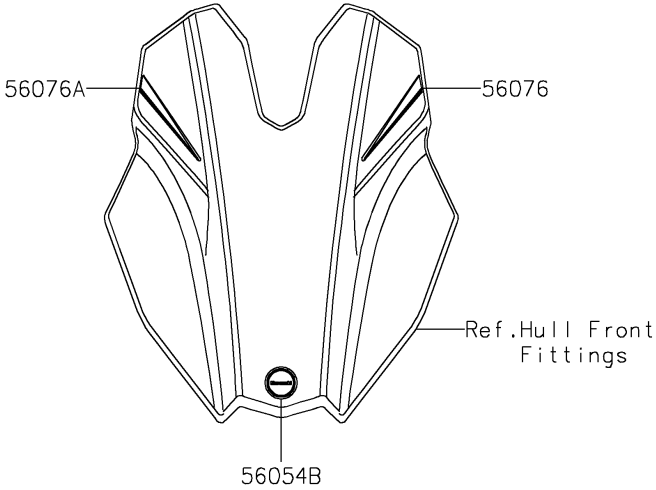


# 2025 JET SKI® ULTRA® 160LX PARTS DIAGRAM

Decals(ARSNN)

F3880



## 2025 JET SKI® ULTRA® 160LX PARTS LIST

Decals(ARSNN)

ITEM NAME	PART NUMBER	QUANTITY
MARK,KAWASAKI (Ref # 56052)	56052-0866	2
MARK,HULL,JETSKI (Ref # 56054)	56054-3777	2
MARK,UPP CASE,JETSOUND (Ref # 56054A)	56054-3778	2
MARK,HATCH COVER,KAWASAKI (Ref # 56054B)	56054-3925	1
MARK,RR GRIP,KAWASAKI (Ref # 56054C)	56054-3927	1
MARK,DECK,ULTRA160LX (Ref # 56054D)	56054-3928	2
PATTERN,HATCH COVER,LH (Ref # 56076)	56076-4020	1
PATTERN,HATCH COVER,RH (Ref # 56076A)	56076-4021	1
PATTERN,SIDE COVER,FR,LH (Ref # 56076B)	56076-4022	1
PATTERN,SIDE COVER,FR,RH (Ref # 56076C)	56076-4023	1
PATTERN,SIDE COVER,LH (Ref # 56076D)	56076-4024	1
PATTERN,SIDE COVER,RH (Ref # 56076E)	56076-4025	1
PATTERN,SIDE COVER,RR,LH (Ref # 56076F)	56076-4078	1
PATTERN,SIDE COVER,RR,RH (Ref # 56076G)	56076-4079	1