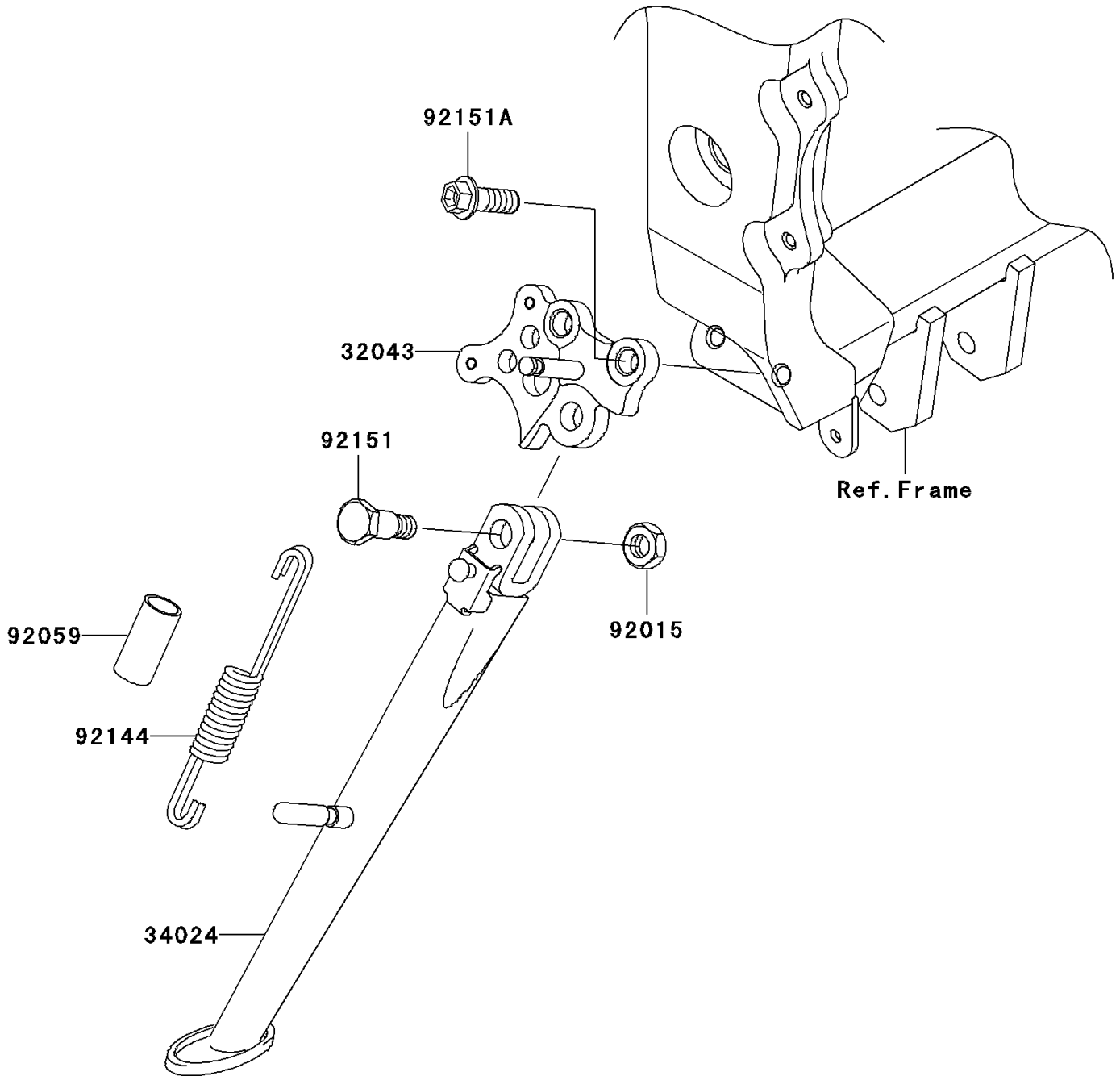


2003 Ninja® ZX™ -6R PARTS DIAGRAM

Stand(s)

F2190



2003 Ninja® ZX™ -6R PARTS LIST

Stand(s)

ITEM NAME	PART NUMBER	QUANTITY
BRACKET-STAND (Ref # 32043)	32043-1484	1
STAND-SIDE (Ref # 34024)	34024-0001	1
NUT,LOCK,10MM,BLACK (Ref # 92015)	92015-1188	1
TUBE,14X17X50 (Ref # 92059)	92059-1961	1
SPRING,SIDE STAND (Ref # 92144)	92144-1818	1
BOLT,SIDE STAND (Ref # 92151)	92151-1797	1
BOLT,FLANGED,10X25 (Ref # 92151A)	92151-1802	2