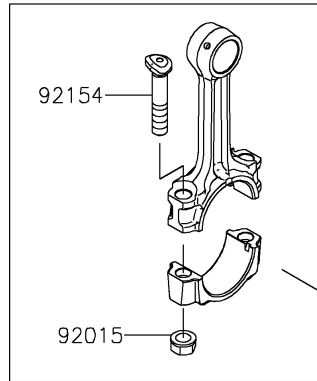
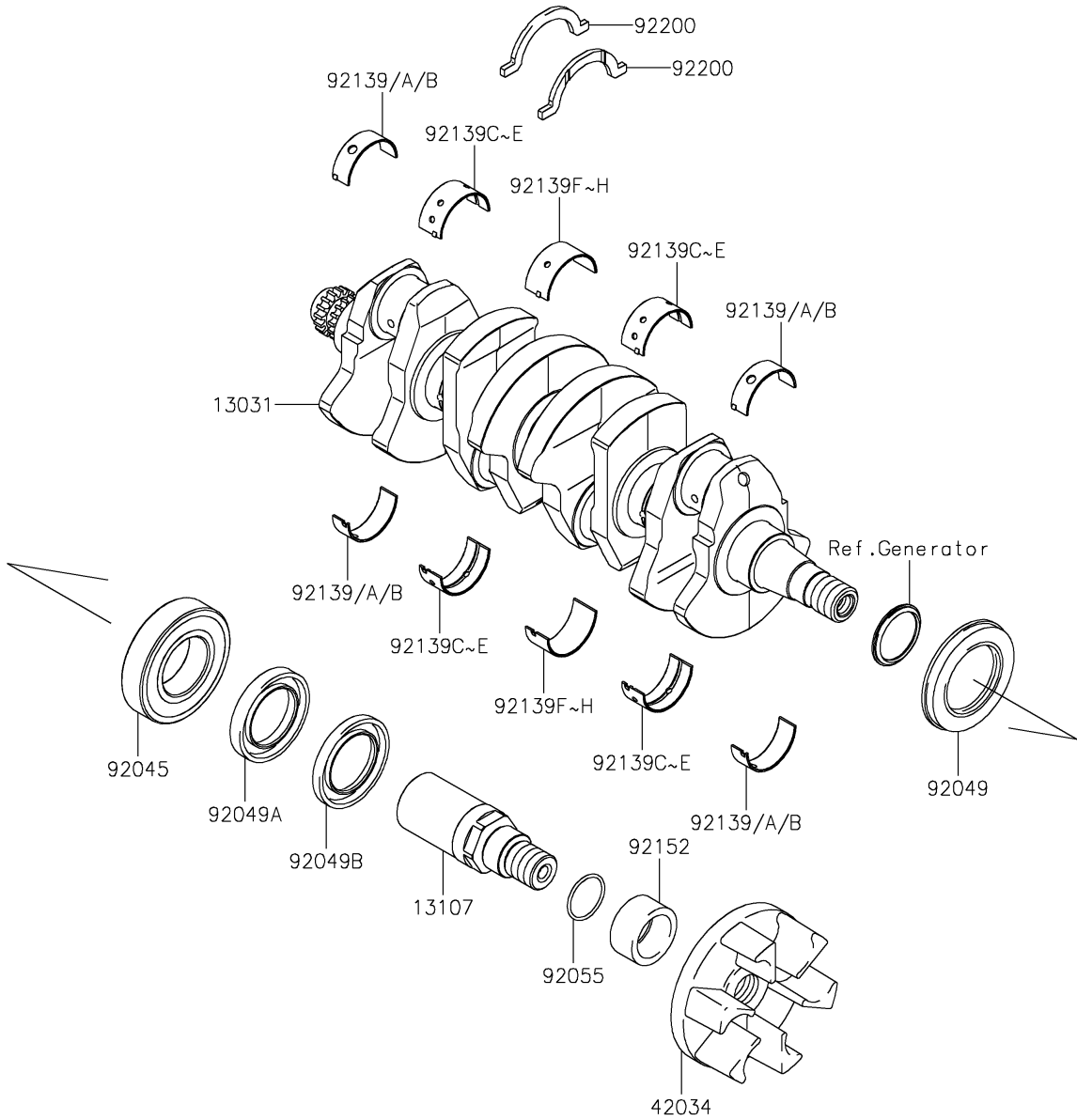
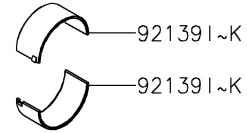


# 2025 JET SKI® ULTRA® 160LX PARTS DIAGRAM

Crankshaft



E1321



## 2025 JET SKI® ULTRA® 160LX PARTS LIST

### Crankshaft

ITEM NAME	PART NUMBER	QUANTITY
CRANKSHAFT-COMP (Ref # 13031)	13031-0968	1
SHAFT (Ref # 13107)	13107-3785	1
ROD-ASSY-CONNECTING,J (Ref # 13251)	13251-3703-JJ	4
COUPLING (Ref # 42034)	42034-3711	1
NUT,CONNECTING ROD (Ref # 92015)	92015-1559	8
BEARING-BALL,6208ZZ AS2S (Ref # 92045)	92045-3739	1
SEAL-OIL,SD347626LHS (Ref # 92049)	92049-3736	1
SEAL-OIL,FPJ740628.5ZS (Ref # 92049A)	92049-3737	1
SEAL-OIL,S40626NS (Ref # 92049B)	92049-3738	1
RING-O,27.7X2.4 (Ref # 92055)	92055-091	1
BUSH,CRANK,#1&#5,BLU,NA MODEL (Ref # 92139)	92139-0942	4
BUSH,CRANK,#1&#5,BLK,NA MODEL (Ref # 92139A)	92139-0943	AR
BUSH,CRANK,#1&#5,BRN,NA MODEL (Ref # 92139B)	92139-0944	AR
BUSH,CRANK,#2&#4,BLU,NA MODEL (Ref # 92139C)	92139-0945	4
BUSH,CRANK,#2&#4,BLK,NA MODEL (Ref # 92139D)	92139-0946	AR
BUSH,CRANK,#2&#4,BRN,NA MODEL (Ref # 92139E)	92139-0947	AR
BUSH,CRANK,#3,BLU,NA MODEL (Ref # 92139F)	92139-0948	2
BUSH,CRANK,#3,BLK,NA MODEL (Ref # 92139G)	92139-0949	AR
BUSH,CRANK,#3,BRN,NA MODEL (Ref # 92139H)	92139-0950	AR
BUSHING,CONNECTING ROD,BLUE (Ref # 92139I)	92139-3708	8
BUSHING,CONNECTING ROD,BLACK (Ref # 92139J)	92139-3709	AR
BUSHING,CONNECTING ROD,BROWN (Ref # 92139K)	92139-3710	AR
COLLAR,OUTPUT RR,L=19.5 (Ref # 92152)	92152-3733	1
BOLT,CONNECTING ROD,9MM (Ref # 92154)	92154-3720	8
WASHER (Ref # 92200)	92200-3789	2