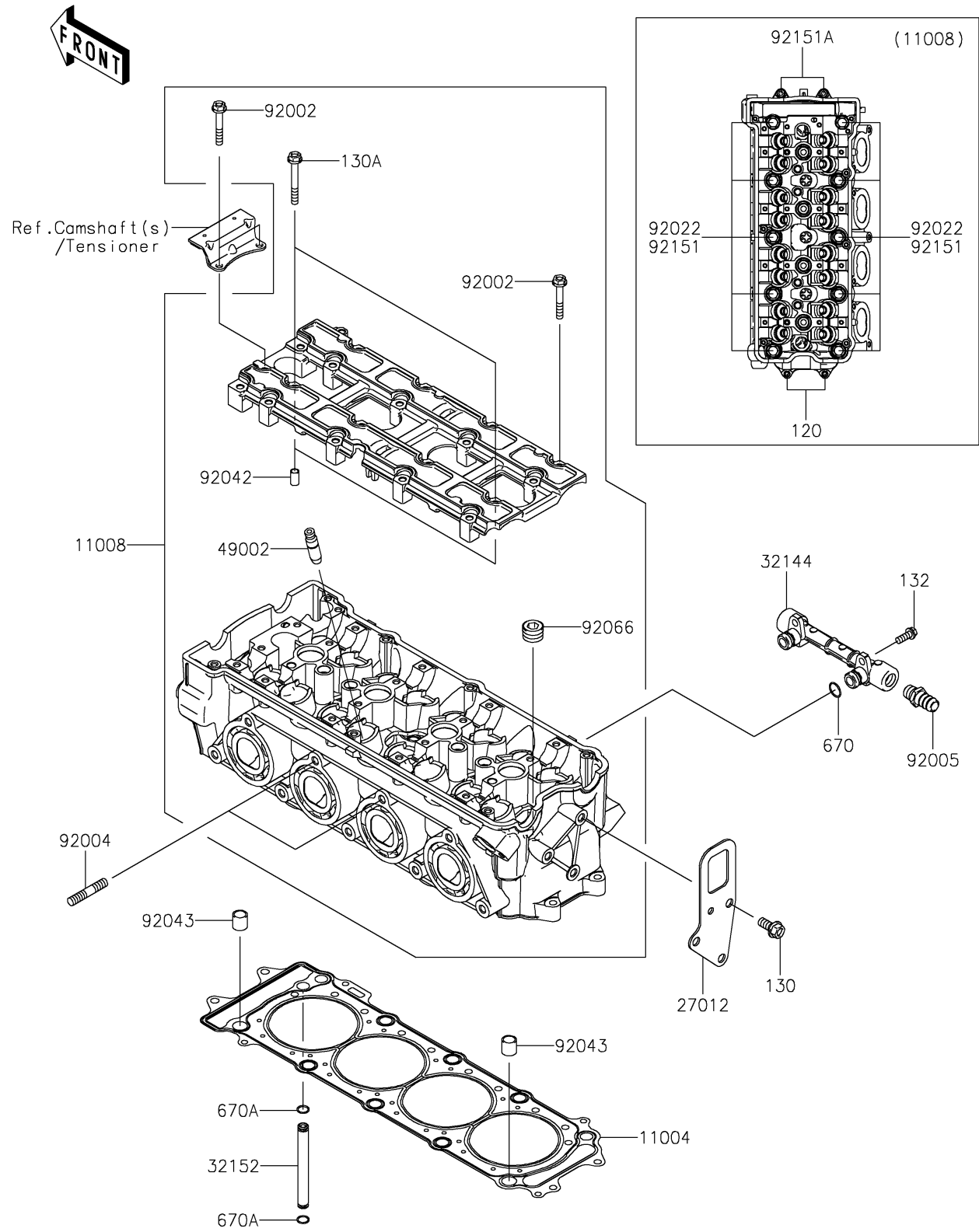


2025 JET SKI® ULTRA® 160LX PARTS DIAGRAM

Cylinder Head

E1111



2025 JET SKI® ULTRA® 160LX PARTS LIST

Cylinder Head

| ITEM NAME | PART NUMBER | QUANTITY |
|-------------------------------------|-------------|----------|
| GASKET-HEAD (Ref # 11004) | 11004-3721 | 1 |
| HEAD-COMP-CYLINDER (Ref # 11008) | 11008-1544 | 1 |
| HOOK,ENGINE,RR (Ref # 27012) | 27012-3863 | 1 |
| PIPE-ASSY (Ref # 32144) | 32144-3709 | 1 |
| PIPE,OIL (Ref # 32152) | 32152-1544 | 1 |
| GUIDE-VALVE (Ref # 49002) | 49002-1140 | 16 |
| BOLT,6X40 (Ref # 92002) | 92002-1756 | 18 |
| STUD,8X30 (Ref # 92004) | 92004-3743 | 2 |
| FITTING (Ref # 92005) | 92005-3714 | 1 |
| WASHER,11.5X20.5X1.6 (Ref # 92022) | 92022-1720 | 10 |
| PIN,DOWEL,6.3X8X14 (Ref # 92042) | 92042-007 | 2 |
| PIN,14X14 (Ref # 92043) | 92043-1593 | 2 |
| PLUG,PT1/2X12.5 (Ref # 92066) | 92066-0002 | 5 |
| BOLT,11X168 (Ref # 92151) | 92151-1513 | 10 |
| BOLT,SOCKET,7X120 (Ref # 92151A) | 92151-1804 | 2 |
| BOLT-SOCKET,6X30 (Ref # 120) | 120CD0630 | 2 |
| BOLT-FLANGED,8X18 (Ref # 130) | 130BD0818 | 3 |
| BOLT-FLANGED,6X50 (Ref # 130A) | 130CD0650 | 2 |
| BOLT-FLANGED-SMALL,6X16 (Ref # 132) | 132BD0616 | 2 |
| O RING,12MM (Ref # 670) | 670B2012 | 2 |
| O RING,7MM (Ref # 670A) | 670D1507 | 2 |