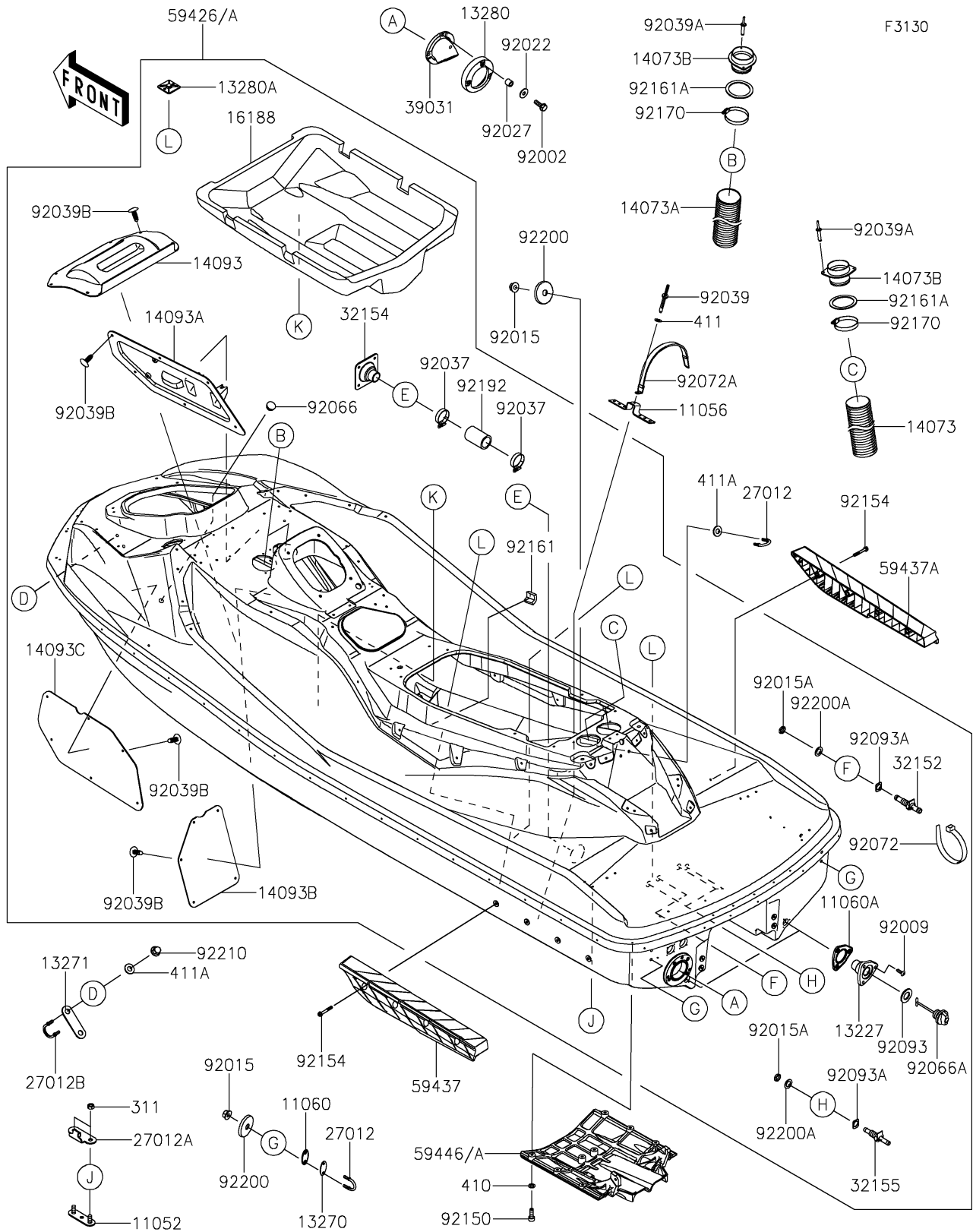


2025 JET SKI® ULTRA® 310X PARTS DIAGRAM

Hull



2025 JET SKI® ULTRA® 310X PARTS LIST

Hull

ITEM NAME	PART NUMBER	QUANTITY
BRACKET,RR DUCT (Ref # 11052)	11052-3712	2
BRACKET,WATER MUFFLER (Ref # 11056)	11056-3722	2
GASKET,U HOOK,RR (Ref # 11060)	11060-3800	2
GASKET,DRAIN PLUG (Ref # 11060A)	11060-3801	2
HOUSING,DRAIN PLUG,F.BLACK (Ref # 13227)	13227-3721-6Z	2
PLATE (Ref # 13270)	13270-3860	2
PLATE (Ref # 13271)	13271-3724	1
HOLDER,EXHAUST VALVE (Ref # 13280)	13280-3718	1
HOLDER (Ref # 13280A)	13280-3757	3
DUCT (Ref # 14073)	14073-0868	2
DUCT,L=800 (Ref # 14073A)	14073-0878	2
DUCT (Ref # 14073B)	14073-3805	4
COVER,BATTERY (Ref # 14093)	14093-1162	1
COVER,STORAGE CASE,RH (Ref # 14093A)	14093-1163	1
COVER,STORAGE CASE,RR (Ref # 14093B)	14093-1211	1
COVER,STORAGE CASE,LH (Ref # 14093C)	14093-1212	1
FLOAT (Ref # 16188)	16188-0063	1
HOOK (Ref # 27012)	27012-3797	3
HOOK (Ref # 27012A)	27012-3816	2
HOOK (Ref # 27012B)	27012-3821	1
PIPE (Ref # 32152)	32152-3749	1
PIPE,DRIVE SHAFT (Ref # 32154)	32154-3714	1
PIPE,COOLING (Ref # 32155)	32155-1511	3
CAP-END (Ref # 39031)	39031-3704	1
STABILIZER,LH,F.BLACK (Ref # 59437)	59437-3749-6Z	1
STABILIZER,RH,F.BLACK (Ref # 59437A)	59437-3750-6Z	1
BOLT,6X20 (Ref # 92002)	92002-3755	3
SCREW,TAPPING,4X16 (Ref # 92009)	92009-3849	6
NUT,FLANGED,8MM (Ref # 92015)	92015-1933	6

2025 JET SKI® ULTRA® 310X PARTS LIST

Hull

ITEM NAME	PART NUMBER	QUANTITY
NUT,20MM (Ref # 92015A)	92015-3738	4
WASHER (Ref # 92022)	92022-567	3
COLLAR,6.2X10X10 (Ref # 92027)	92027-3705	3
CLAMP (Ref # 92037)	92037-3009	2
RIVET (Ref # 92039)	92039-0808	2
RIVET (Ref # 92039A)	92039-3775	8
RIVET (Ref # 92039B)	92039-3788	23
PLUG (Ref # 92066)	92066-1306	1
PLUG,RR,DRAIN,F.BLACK (Ref # 92066A)	92066-3783-6Z	2
BAND,L=188.85 (Ref # 92072)	92072-0105	4
BAND,314X18 (Ref # 92072A)	92072-3814	2
SEAL (Ref # 92093)	92093-3720	2
SEAL (Ref # 92093A)	92093-3784	4
BOLT,SOCKET,6X18 (Ref # 92150)	92150-3775	8
BOLT,FLANGED,8X55 (Ref # 92154)	92154-1123	8
DAMPER,40X40X10 (Ref # 92161)	92161-1861	1
DAMPER (Ref # 92161A)	92161-3769	4
CLAMP (Ref # 92170)	92170-1679	4
TUBE,39X51X78 (Ref # 92192)	92192-3756	1
WASHER (Ref # 92200)	92200-3779	6
WASHER,21X34X2 (Ref # 92200A)	92200-3802	4
NUT,CAP,8MM (Ref # 92210)	92210-1132	2
NUT-HEX,6MM (Ref # 311)	311R0600	4
WASHER-PLAIN-SMALL,6MM (Ref # 410)	410S0600	8
WASHER-PLAIN,5MM (Ref # 411)	411S0500	2
WASHER-PLAIN,8MM (Ref # 411A)	411S0800	4