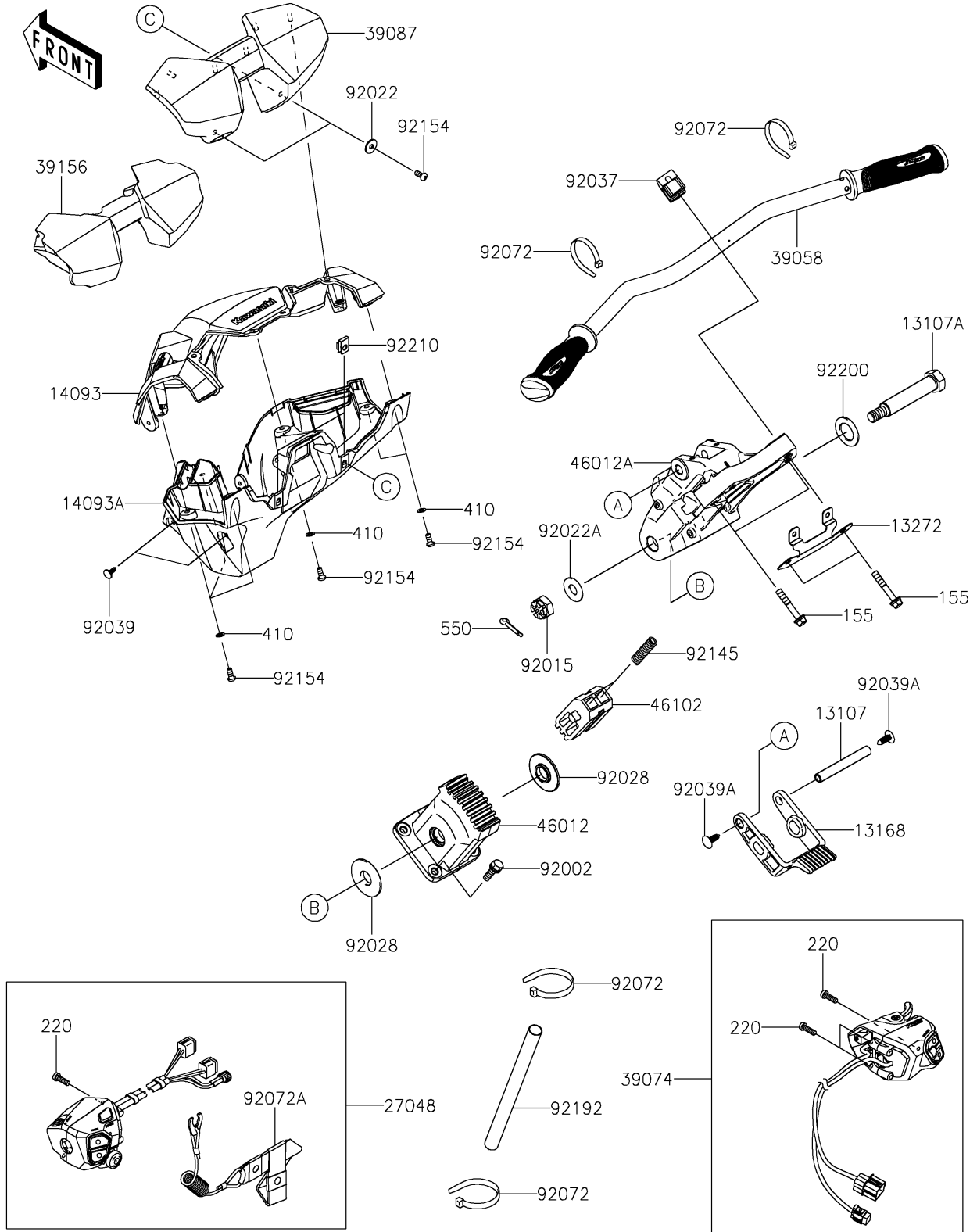


2025 JET SKI® ULTRA® 310LX PARTS DIAGRAM

Handlebar

F3172



2025 JET SKI® ULTRA® 310LX PARTS LIST

Handlebar

| ITEM NAME | PART NUMBER | QUANTITY |
|--|---------------|----------|
| SHAFT (Ref # 13107) | 13107-3795 | 1 |
| SHAFT,HANDLE HOLDER PIVOT (Ref # 13107A) | 13107-3803 | 1 |
| LEVER (Ref # 13168) | 13168-3754 | 1 |
| PLATE (Ref # 13272) | 13272-3972 | 1 |
| COVER,HANDLE,FR (Ref # 14093) | 14093-1176 | 1 |
| COVER,HANDLE,RR (Ref # 14093A) | 14093-1177 | 1 |
| SWITCH-ASSY,STOP&START (Ref # 27048) | 27048-0054 | 1 |
| HANDLE-COMP,BLACK (Ref # 39058) | 39058-0044-6Z | 1 |
| LEVER-ASSY-THROTTLE (Ref # 39074) | 39074-0014 | 1 |
| PAD-HANDLE,BLACK (Ref # 39087) | 39087-0016-6Z | 1 |
| PAD (Ref # 39156) | 39156-2768 | 1 |
| HOLDER-HANDLE,LWR (Ref # 46012) | 46012-3730 | 1 |
| HOLDER-HANDLE,UPP (Ref # 46012A) | 46012-3733 | 1 |
| ROD,HANDLE POSITION (Ref # 46102) | 46102-3733 | 1 |
| BOLT,8X25 (Ref # 92002) | 92002-3774 | 4 |
| NUT,CASTLE,14MM (Ref # 92015) | 92015-3805 | 1 |
| WASHER,6.5X20X1.5 (Ref # 92022) | 92022-3710 | 2 |
| WASHER,15X34X2.0 (Ref # 92022A) | 92022-3738 | 1 |
| BUSHING (Ref # 92028) | 92028-3743 | 2 |
| CLAMP,HANDLEBAR (Ref # 92037) | 92037-503 | 2 |
| RIVET (Ref # 92039) | 92039-3787 | 4 |
| RIVET (Ref # 92039A) | 92039-3788 | 2 |
| BAND,L=188.85 (Ref # 92072) | 92072-0105 | 4 |
| BAND,TETHER SWITCH (Ref # 92072A) | 92072-0891 | 1 |
| SPRING (Ref # 92145) | 92145-3723 | 2 |
| BOLT,SOCKET,6X14 (Ref # 92154) | 92154-3988 | 8 |
| TUBE,35X37X200 (Ref # 92192) | 92192-1990 | 1 |
| WASHER,21X34X2 (Ref # 92200) | 92200-3802 | 1 |
| NUT,6MM (Ref # 92210) | 92210-3768 | 2 |

2025 JET SKI® ULTRA® 310LX PARTS LIST

Handlebar

| ITEM NAME | PART NUMBER | QUANTITY |
|------------------------------------|-------------|----------|
| BOLT-WSP-SMALL,8X50 (Ref # 155) | 155R0850 | 4 |
| SCREW-PAN-CROS,5X30 (Ref # 220) | 220R0530 | 6 |
| WASHER-PLAIN-SMALL,6MM (Ref # 410) | 410S0600 | 6 |
| PIN-COTTER,3X35 (Ref # 550) | 550S3035 | 1 |