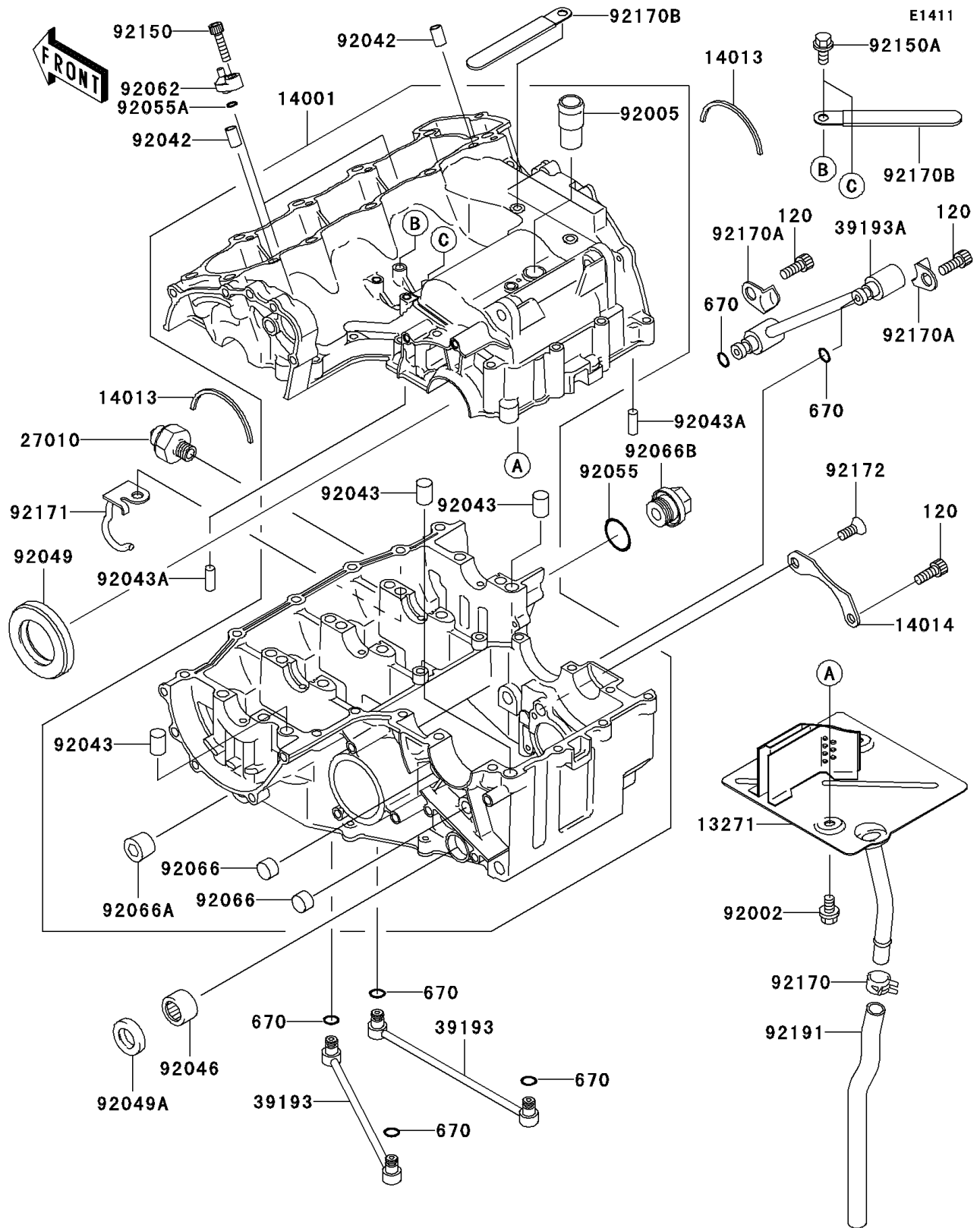


# 2003 Ninja® ZX™ -6R PARTS DIAGRAM

## Crankcase



## 2003 Ninja® ZX™ -6R PARTS LIST

### Crankcase

ITEM NAME	PART NUMBER	QUANTITY
BOLT-SOCKET,6X16 (Ref # 120)	120P0616	3
O RING (Ref # 670)	670D1505	6
PLATE,BREATHER (Ref # 13271)	13271-0115	1
SET-CRANKCASE (Ref # 14001)	14001-0034	1
RING-POSITION (Ref # 14013)	14013-004	2
PLATE-POSITION (Ref # 14014)	14014-1123	1
SWITCH,OIL PRESSURE (Ref # 27010)	27010-1313	1
PIPE-OIL,MAIN-INPUT (Ref # 39193)	39193-1019	2
PIPE-OIL (Ref # 39193A)	39193-1020	1
BOLT,6X10 (Ref # 92002)	92002-1449	2
FITTING,BREATHER (Ref # 92005)	92005-1238	1
PIN,DOWEL,6.3X8X14 (Ref # 92042)	92042-007	2
PIN (Ref # 92043)	92043-1506	3
PIN,6X16 (Ref # 92043A)	92043-1690	2
BEARING-NEEDLE,7E-HK1412 (Ref # 92046)	92046-037	1
SEAL-OIL,TC32528 (Ref # 92049)	92049-1307	1
SEAL-OIL,TC14245 (Ref # 92049A)	92049-1520	1
RING-O,20X2 (Ref # 92055)	92055-1146	1
RING-O,5.5X1.5 (Ref # 92055A)	92055-1343	2
NOZZLE,OIL JET (Ref # 92062)	92062-1092	2
PLUG (Ref # 92066)	92066-1110	2
PLUG,PT3/8X12 (Ref # 92066A)	92066-1252	1
PLUG,MAIN GALLERY,18X9 (Ref # 92066B)	92066-1394	1
BOLT,SOCKET,5X20 (Ref # 92150)	92150-1019	2
BOLT,6X12 (Ref # 92150A)	92150-1841	2
CLAMP (Ref # 92170)	92170-1167	1
CLAMP,OIL PIPE (Ref # 92170A)	92170-1578	2
CLAMP (Ref # 92170B)	92170-1925	2
CLAMP (Ref # 92171)	92171-0041	1

## 2003 Ninja® ZX™ -6R PARTS LIST

### Crankcase

ITEM NAME	PART NUMBER	QUANTITY
SCREW,6X16 (Ref # 92172)	92172-0090	1
TUBE,BREATHING (Ref # 92191)	92191-1790	1