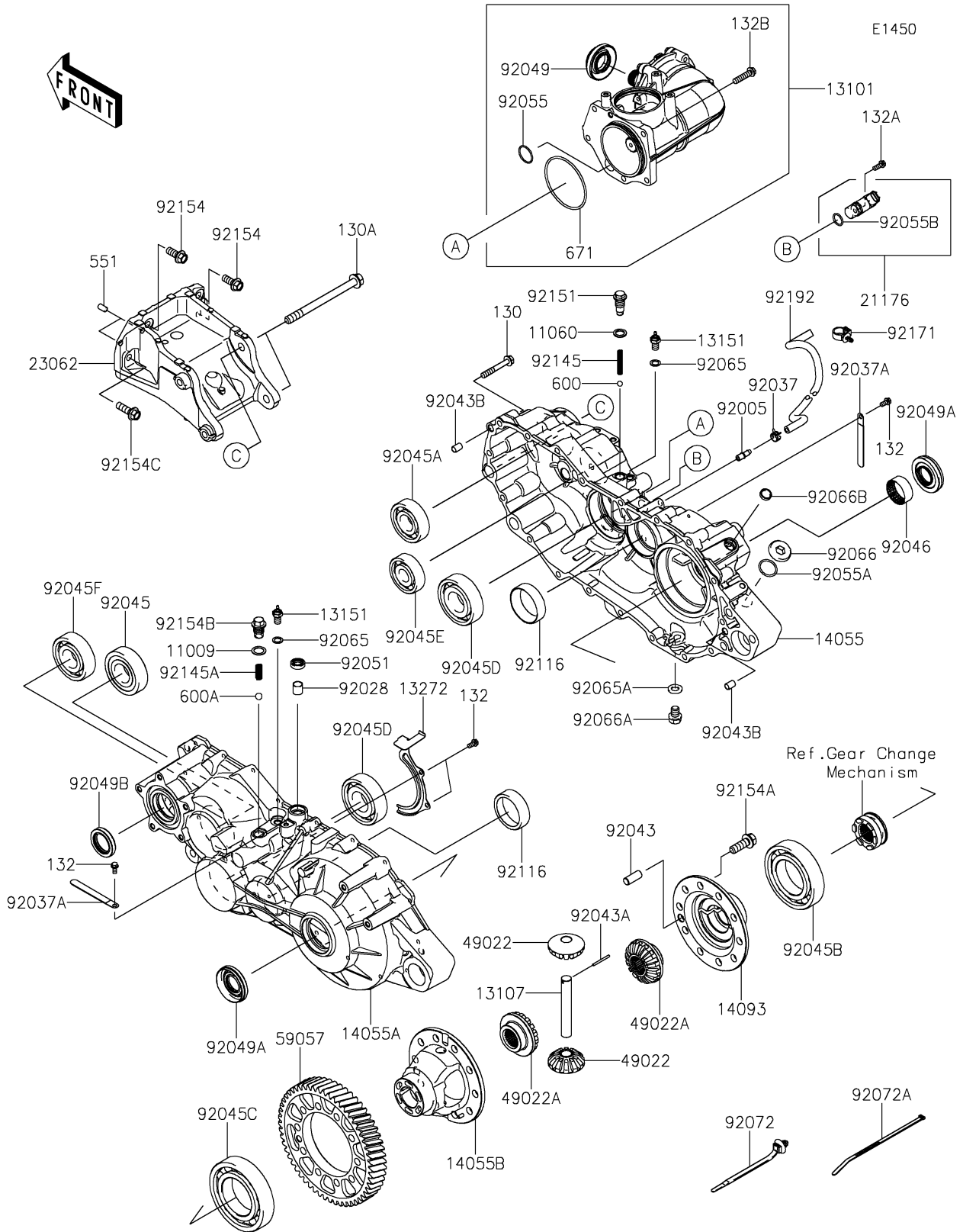


2022 MULE PRO-DXT™ EPS DIESEL FE PARTS DIAGRAM

Gear Box



2022 MULE PRO-DXT™ EPS DIESEL FE PARTS LIST

Gear Box

| ITEM NAME | PART NUMBER | QUANTITY |
|---|-------------|----------|
| GASKET,15.5X22X1 (Ref # 11009) | 11009-1008 | 1 |
| GASKET,14X20X2 (Ref # 11060) | 11060-1287 | 1 |
| GEAR-ASSY,PARTICULAR (Ref # 13101) | 13101-0636 | 1 |
| SHAFT (Ref # 13107) | 13107-0793 | 1 |
| SWITCH-COMP,NEUTRAL (Ref # 13151) | 13151-1080 | 2 |
| PLATE (Ref # 13272) | 13272-1624 | 1 |
| CASE-GEAR,RH (Ref # 14055) | 14055-0607 | 1 |
| CASE-GEAR,LH (Ref # 14055A) | 14055-0608 | 1 |
| CASE-GEAR,DIFF (Ref # 14055B) | 14055-0614 | 1 |
| COVER,DIFF (Ref # 14093) | 14093-0048 | 1 |
| SENSOR,ROTATION (Ref # 21176) | 21176-0767 | 1 |
| BRACKET-COMP (Ref # 23062) | 23062-0855 | 1 |
| GEAR-BEVEL,PINION,12T (Ref # 49022) | 49022-0585 | 2 |
| GEAR-BEVEL,OUTPUT,16T (Ref # 49022A) | 49022-0589 | 2 |
| GEAR-HELICAL,55T (Ref # 59057) | 59057-0012 | 1 |
| FITTING,BREATHER (Ref # 92005) | 92005-1127 | 1 |
| BUSHING (Ref # 92028) | 92028-1347 | 1 |
| CLAMP,TUBE (Ref # 92037) | 92037-1505 | 1 |
| CLAMP (Ref # 92037A) | 92037-1993 | 2 |
| PIN,DOWEL,12X30 (Ref # 92043) | 92043-0789 | 1 |
| PIN,DOWEL (Ref # 92043A) | 92043-0806 | 1 |
| PIN,DOWEL,10X14 (Ref # 92043B) | 92043-1037 | 2 |
| BEARING-BALL,63/32 (Ref # 92045) | 92045-0764 | 1 |
| BEARING-BALL,63/28 (Ref # 92045A) | 92045-0765 | 1 |
| BEARING-BALL,6212 (Ref # 92045B) | 92045-0766 | 1 |
| BEARING-BALL,6213 (Ref # 92045C) | 92045-0767 | 1 |
| BEARING-BALL,6307C3 (Ref # 92045D) | 92045-0768 | 2 |
| BEARING-BALL,B22-19C3 UR (Ref # 92045E) | 92045-0769 | 1 |
| BEARING-BALL,63/32C3 (Ref # 92045F) | 92045-1364 | 1 |

2022 MULE PRO-DXT™ EPS DIESEL FE PARTS LIST

Gear Box

| ITEM NAME | PART NUMBER | QUANTITY |
|---|-------------|----------|
| BEARING-NEEDLE,BTM35.6 (Ref # 92046) | 92046-0612 | 1 |
| SEAL-OIL (Ref # 92049) | 92049-0160 | 1 |
| SEAL-OIL (Ref # 92049A) | 92049-0749 | 2 |
| SEAL-OIL,TC32488 (Ref # 92049B) | 92049-1361 | 1 |
| SEAL-OIL,TB13225.5 (Ref # 92051) | 92051-005 | 1 |
| RING-O,1.9X26.2 (Ref # 92055) | 92055-0782 | 1 |
| RING-O,25.7X2.4 (Ref # 92055A) | 92055-1136 | 1 |
| RING-O (Ref # 92055B) | 92055-1639 | 1 |
| GASKET,10.5X16X1 (Ref # 92065) | 92065-058 | 2 |
| GASKET,12X22X2 (Ref # 92065A) | 92065-097 | 1 |
| PLUG,25X8 (Ref # 92066) | 92066-0012 | 1 |
| PLUG,OIL DRAIN,12X15 (Ref # 92066A) | 92066-1174 | 1 |
| PLUG (Ref # 92066B) | 92066-7014 | 1 |
| BAND,OS170-FT7(BLACK) (Ref # 92072) | 92072-1414 | AR |
| BAND,L=292.1 (Ref # 92072A) | 92072-3509 | AR |
| BEARING-ROLLER,HR32206JA LC (Ref # 92116) | 92116-0015 | 2 |
| SPRING (Ref # 92145) | 92145-1589 | 1 |
| SPRING (Ref # 92145A) | 92145-1590 | 1 |
| BOLT,CHANGE POSITION (Ref # 92151) | 92151-1687 | 1 |
| BOLT,FLANGED,10X25 (Ref # 92154) | 92154-1329 | 3 |
| BOLT,FLANGED,12X35 (Ref # 92154A) | 92154-1332 | 10 |
| BOLT,CHANGE POSITION (Ref # 92154B) | 92154-1366 | 1 |
| BOLT,FLANGED,10X32 (Ref # 92154C) | 92154-1740 | 1 |
| CLAMP (Ref # 92171) | 92171-0453 | 1 |
| TUBE,BREATHER (Ref # 92192) | 92192-1340 | 1 |
| BOLT-FLANGED,8X55 (Ref # 130) | 130BA0855 | 18 |
| BOLT-FLANGED,12X150 (Ref # 130A) | 130CA12150 | 2 |
| BOLT-FLANGED-SMALL,6X12 (Ref # 132) | 132BA0612 | 4 |
| BOLT-FLANGED-SMALL,6X16 (Ref # 132A) | 132BA0616 | 1 |

2022 MULE PRO-DXT™ EPS DIESEL FE PARTS LIST

Gear Box

| ITEM NAME | PART NUMBER | QUANTITY |
|--------------------------------------|-------------|----------|
| BOLT-FLANGED-SMALL,8X35 (Ref # 132B) | 132BA0835 | 5 |
| PIN-DOWEL,8X14 (Ref # 551) | 551A0814 | 2 |
| BALL-STEEL,5/16 (Ref # 600) | 600A1000 | 1 |
| BALL-STEEL,13/32 (Ref # 600A) | 600A1300 | 1 |
| O RING (Ref # 671) | 671D2585 | 1 |