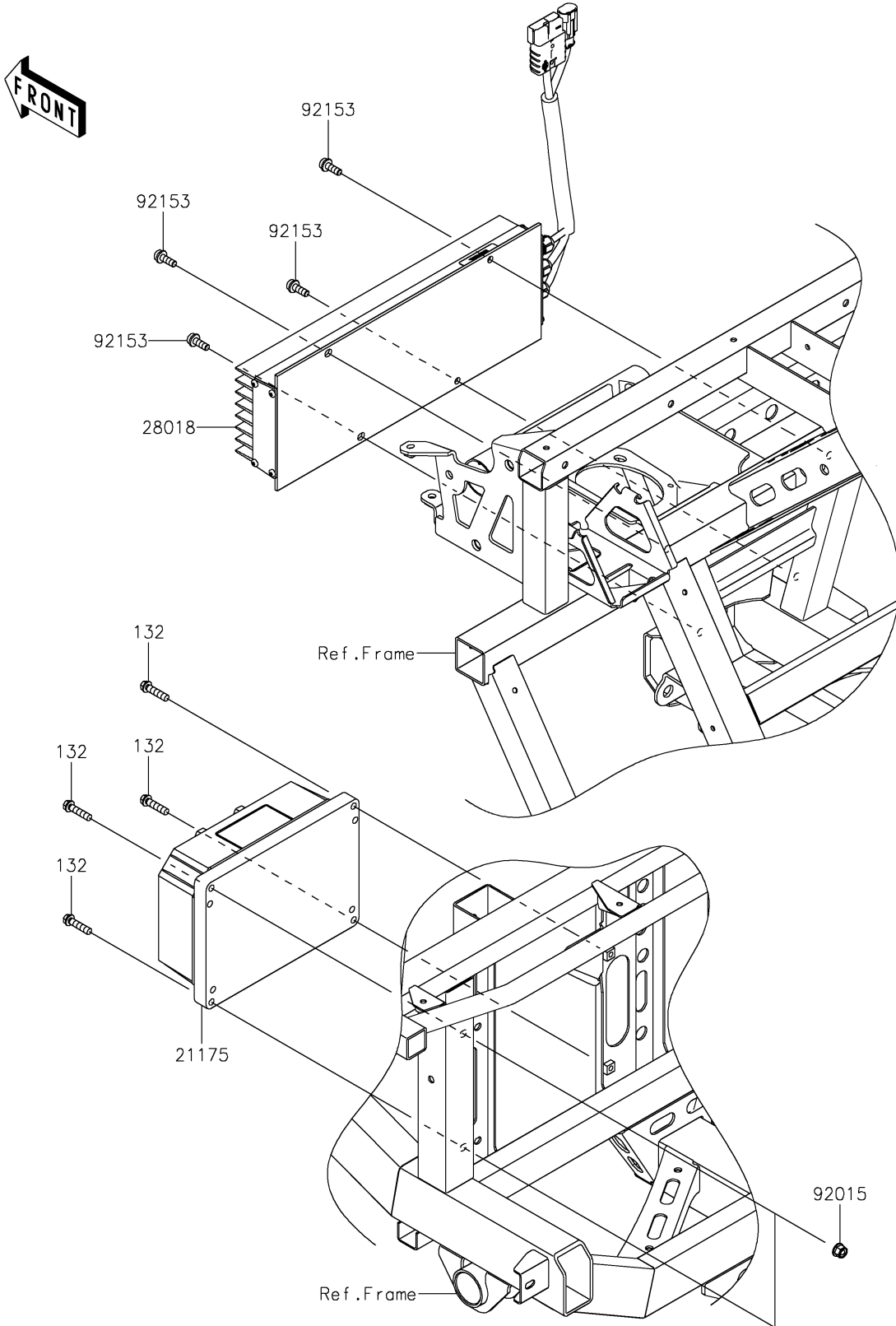


# 2025 NAV® 4e LIMITED PARTS DIAGRAM

## Chassis Electrical Equipment-2

F2760A



## 2025 NAV® 4e LIMITED PARTS LIST

### Chassis Electrical Equipment-2

ITEM NAME	PART NUMBER	QUANTITY
CONTROL UNIT-ELECTRONIC (Ref # 21175)	21175-2097	1
RESISTOR,DYNAMIC BRAKE (Ref # 28018)	28018-0009	1
NUT,LOCK,FLANGED,6MM (Ref # 92015)	92015-1339	2
BOLT,SOCKET,6X16 (Ref # 92153)	92153-1517	4
BOLT-FLANGED-SMALL,6X25 (Ref # 132)	132BA0625	4