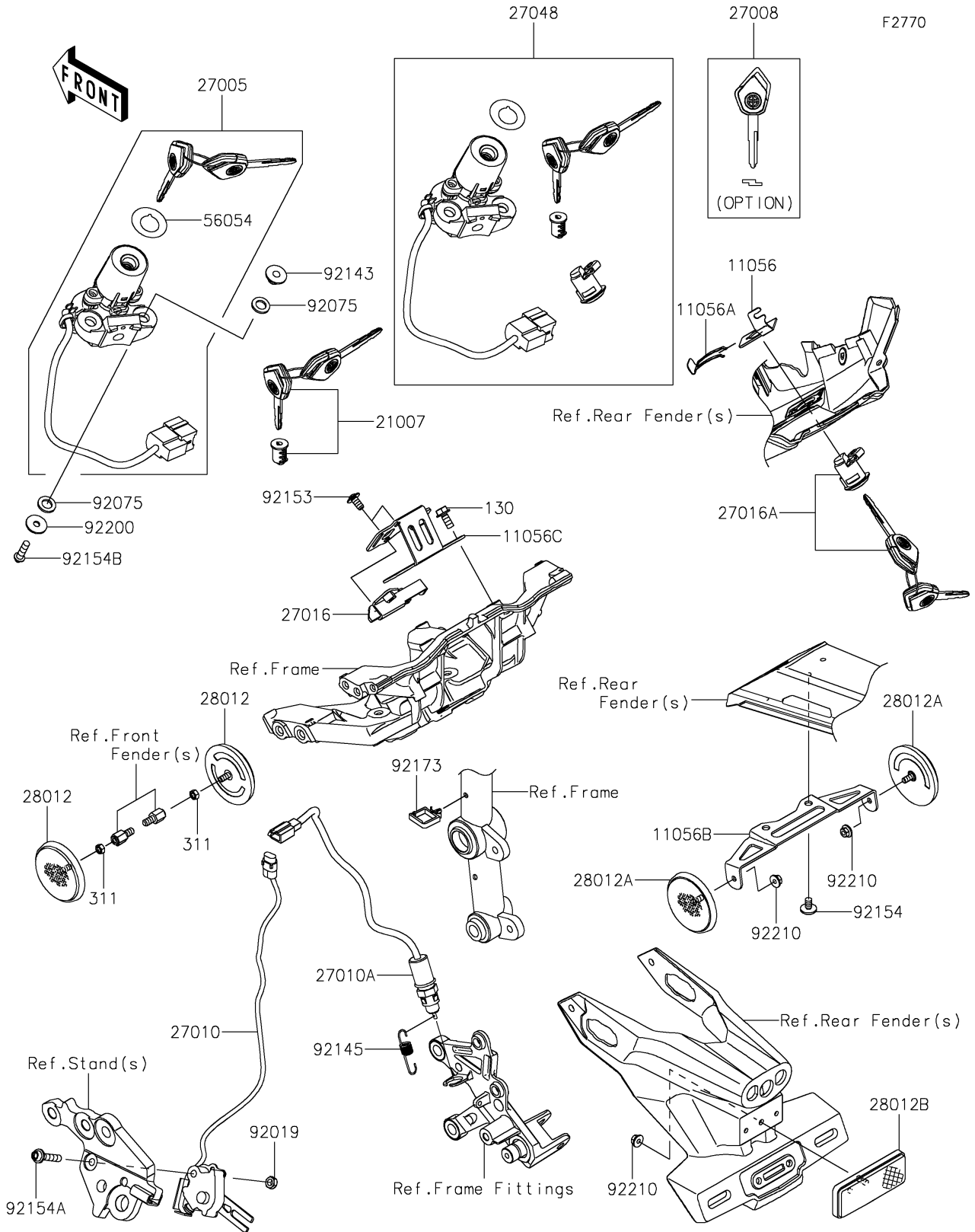


# 2025 NINJA H2® ABS PARTS DIAGRAM

Ignition Switch/Locks/Reflectors



## 2025 NINJA H2® ABS PARTS LIST

### Ignition Switch/Locks/Reflectors

ITEM NAME	PART NUMBER	QUANTITY
BRACKET (Ref # 11056)	11056-0237	1
BRACKET,CLASP (Ref # 11056A)	11056-0238	1
BRACKET,REFLECTOR (Ref # 11056B)	11056-4496	1
BRACKET,SEAT LOCK (Ref # 11056C)	11056-7045	1
ROTOR,LOCK,TANK CAP (Ref # 21007)	21007-5079	1
SWITCH-ASSY-IGNITION (Ref # 27005)	27005-0603	1
KEY-LOCK,BLANK (Ref # 27008)	27008-0590	1
SWITCH,SIDE STAND (Ref # 27010)	27010-0825	1
SWITCH,STOP (Ref # 27010A)	27010-0836	1
LOCK-ASSY,SEAT STRIKER (Ref # 27016)	27016-1115	1
LOCK-ASSY,SEAT (Ref # 27016A)	27016-5389	1
SWITCH-ASSY (Ref # 27048)	27048-5056	1
REFLECTOR-REFLEX,FR,SIDE (Ref # 28012)	28012-0001	2
REFLECTOR-REFLEX (Ref # 28012A)	28012-0002	2
REFLECTOR-REFLEX (Ref # 28012B)	28012-1077	1
MARK,IGNITION (Ref # 56054)	56054-1596	1
NUT,LOCK,6MM (Ref # 92019)	92019-008	1
DAMPER (Ref # 92075)	92075-1564	4
COLLAR,L=9.6 (Ref # 92143)	92143-1016	2
SPRING (Ref # 92145)	92145-1884	1
BOLT,SOCKET,6X12 (Ref # 92153)	92153-1617	2
BOLT,SOCKET,6X10 (Ref # 92154)	92154-1693	2
BOLT,SOCKET,6X30 (Ref # 92154A)	92154-1736	1
BOLT,TORX,6X22 (Ref # 92154B)	92154-1858	2
CLAMP (Ref # 92173)	92173-1513	1
WASHER,6X20X1.6 (Ref # 92200)	92200-0212	2
NUT,FLANGED,5MM (Ref # 92210)	92210-0007	3
BOLT-FLANGED,6X14 (Ref # 130)	130CB0614	2
NUT-HEX,5MM (Ref # 311)	311AB0500	2