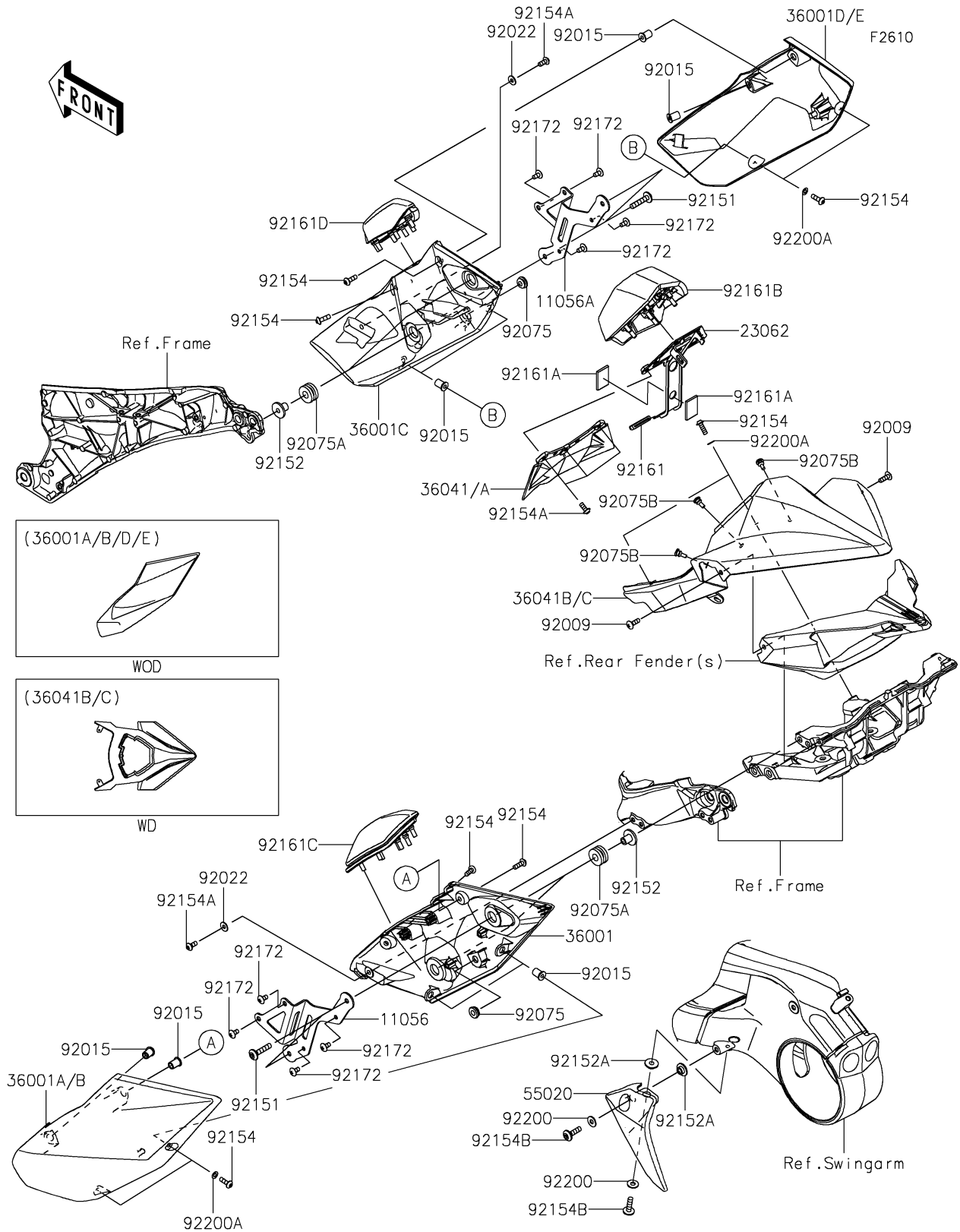


# 2025 NINJA H2® ABS PARTS DIAGRAM

Side Covers/Chain Cover



## 2025 NINJA H2® ABS PARTS LIST

### Side Covers/Chain Cover

ITEM NAME	PART NUMBER	QUANTITY
BRACKET,SIDE COVER,LH (Ref # 11056)	11056-4493	1
BRACKET,SIDE COVER,RH (Ref # 11056A)	11056-4494	1
BRACKET-COMP,TOOL COVER (Ref # 23062)	23062-0839	1
COVER-SIDE,LH,INNER (Ref # 36001)	36001-0621	1
COVER-SIDE,LH,OUTER,M.C.S.BLK (Ref # 36001A)	36001-0622-53X	1
COVER-SIDE,RH,INNER (Ref # 36001C)	36001-0623	1
COVER-SIDE,RH,OUTER,M.C.S.BLK (Ref # 36001D)	36001-0624-53X	1
COVER-TAIL,TOOL,M.C.S.BLACK (Ref # 36041)	36041-0010-53X	1
COVER-TAIL,M.C.S.BLACK (Ref # 36041B)	36041-5056-53X	1
GUARD,SPROCKET (Ref # 55020)	55020-1851	1
SCREW,5X16,BLACK (Ref # 92009)	92009-1654	2
NUT,WELL,5MM (Ref # 92015)	92015-1757	8
WASHER,5.2X13X1 (Ref # 92022)	92022-1380	2
DAMPER,6X16X7 (Ref # 92075)	92075-1011	2
DAMPER,10X24X12 (Ref # 92075A)	92075-1690	4
DAMPER,6X10X15 (Ref # 92075B)	92075-1808	3
BOLT,SOCKET,6X30 (Ref # 92151)	92151-1605	4
COLLAR,6.3X10X14.5 (Ref # 92152)	92152-0091	4
COLLAR,6.2X18X5.65 (Ref # 92152A)	92152-1979	2
BOLT,SOCKET,5X16 (Ref # 92154)	92154-1560	10
BOLT,SOCKET,5X12 (Ref # 92154A)	92154-1561	5
BOLT,SOCKET,6X22 (Ref # 92154B)	92154-1810	2
DAMPER (Ref # 92161)	92161-0629	1
DAMPER,20X30X3 (Ref # 92161A)	92161-0958	2
DAMPER,SEAT CENTER PAD (Ref # 92161B)	92161-1802	1
DAMPER,SEAT SIDE PAD,LH (Ref # 92161C)	92161-1822	1
DAMPER,SEAT SIDE PAD,RH (Ref # 92161D)	92161-1823	1
SCREW,TAPPING,5X10 (Ref # 92172)	92172-0262	8
WASHER,6.2X15X1.2 (Ref # 92200)	92200-1762	2

## 2025 NINJA H2<sup>®</sup> ABS PARTS LIST

Side Covers/Chain Cover

ITEM NAME	PART NUMBER	QUANTITY
WASHER,5.2X10X1.0 (Ref # 92200A)	92200-1820	6