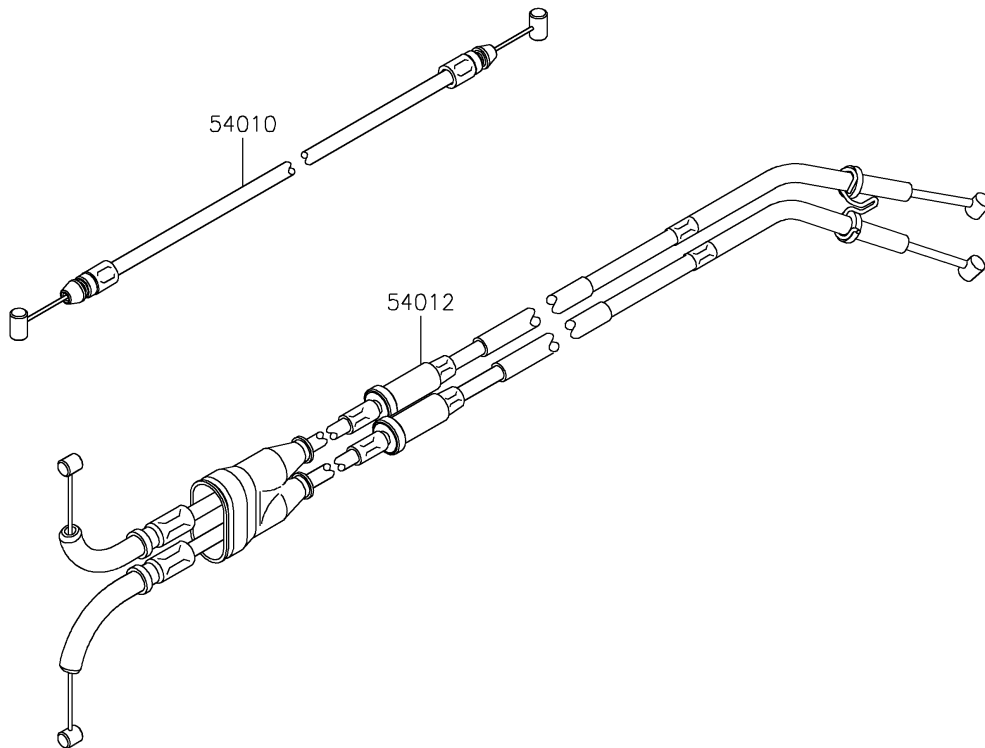
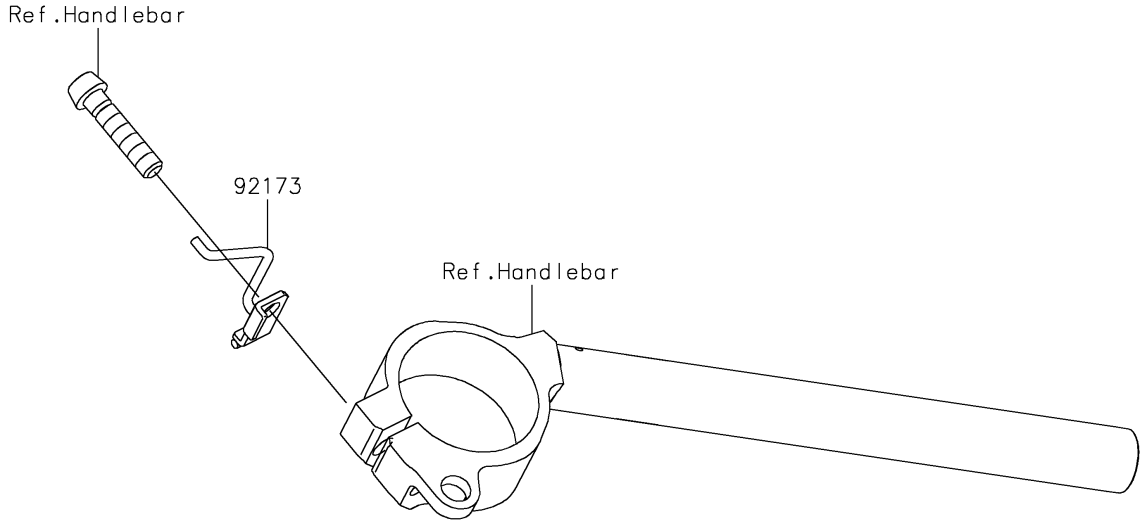


2025 NINJA H2® ABS PARTS DIAGRAM

Cables

F2540



2025 NINJA H2® ABS PARTS LIST

Cables

ITEM NAME	PART NUMBER	QUANTITY
CABLE,SEAT LOCK (Ref # 54010)	54010-0573	1
CABLE-THROTTLE (Ref # 54012)	54012-0676	1
CLAMP,THROTTLE CABLE (Ref # 92173)	92173-1962	1