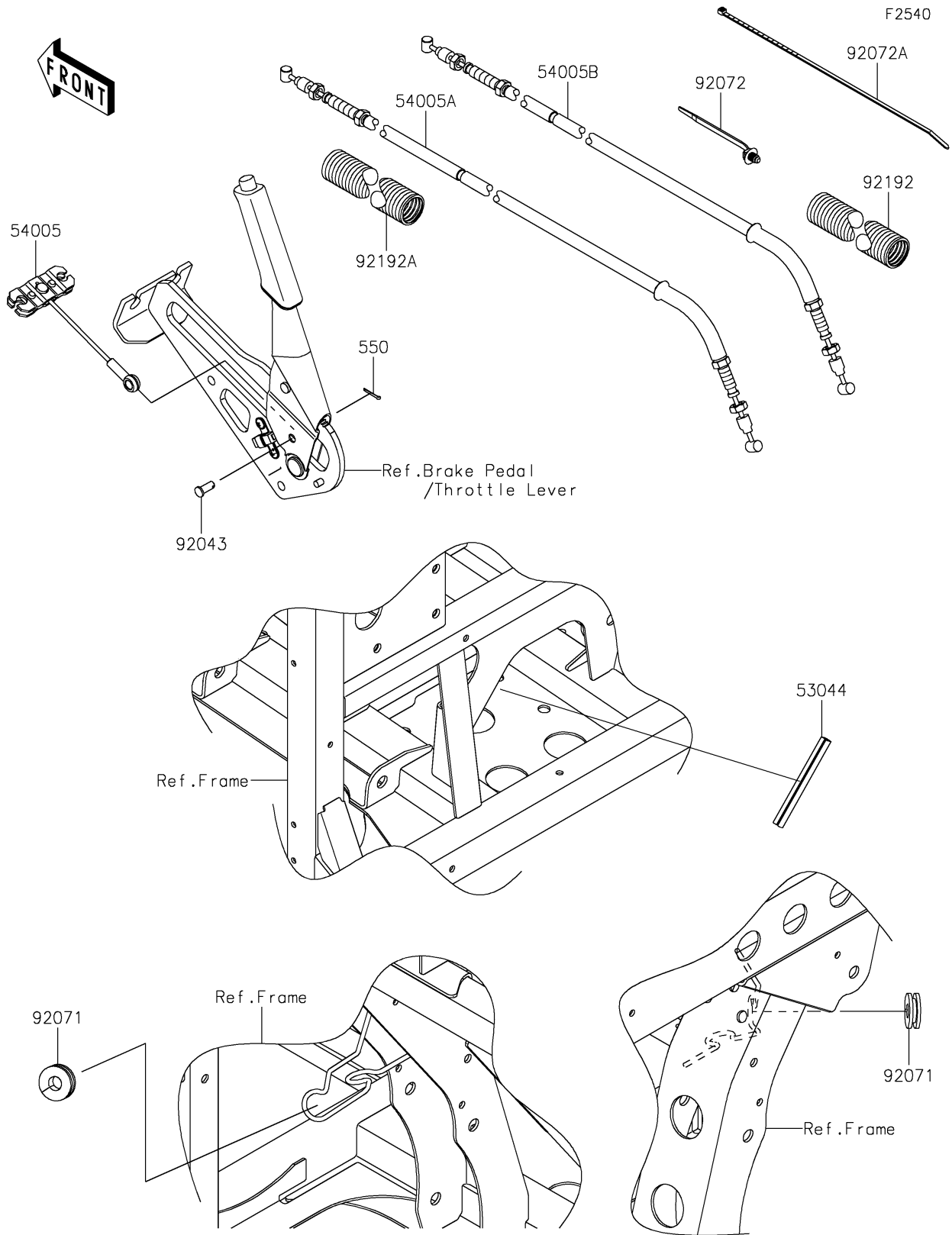


# 2024 MULE PRO-FXT™ 1000 LE RANCH EDITION PARTS DIAGRAM

## Cables



## 2024 MULE PRO-FXT™ 1000 LE RANCH EDITION PARTS LIST

### Cables

| ITEM NAME                                  | PART NUMBER | QUANTITY |
|--|-------------|----------|
| TRIM,L=111 (Ref # 53044)                   | 53044-7502  | 1        |
| CABLE-BRAKE,PARKING,FR (Ref # 54005)       | 54005-0035  | 1        |
| CABLE-BRAKE,PARKING,LH (Ref # 54005A)      | 54005-0039  | 1        |
| CABLE-BRAKE,PARKING,RH (Ref # 54005B)      | 54005-0040  | 1        |
| PIN (Ref # 92043)                          | 92043-1039  | 1        |
| GROMMET (Ref # 92071)                      | 92071-0029  | 2        |
| BAND,OS170-FT7(BLACK) (Ref # 92072)        | 92072-1414  | 9        |
| BAND,L=292.1 (Ref # 92072A)                | 92072-3509  | 6        |
| TUBE,CONVOLUTED,25.1X30X260 (Ref # 92192)  | 92192-1363  | 1        |
| TUBE,CONVOLUTED,25.1X30X210 (Ref # 92192A) | 92192-1391  | 1        |
| PIN-COTTER,2.5X18 (Ref # 550)              | 550AA2518   | 1        |