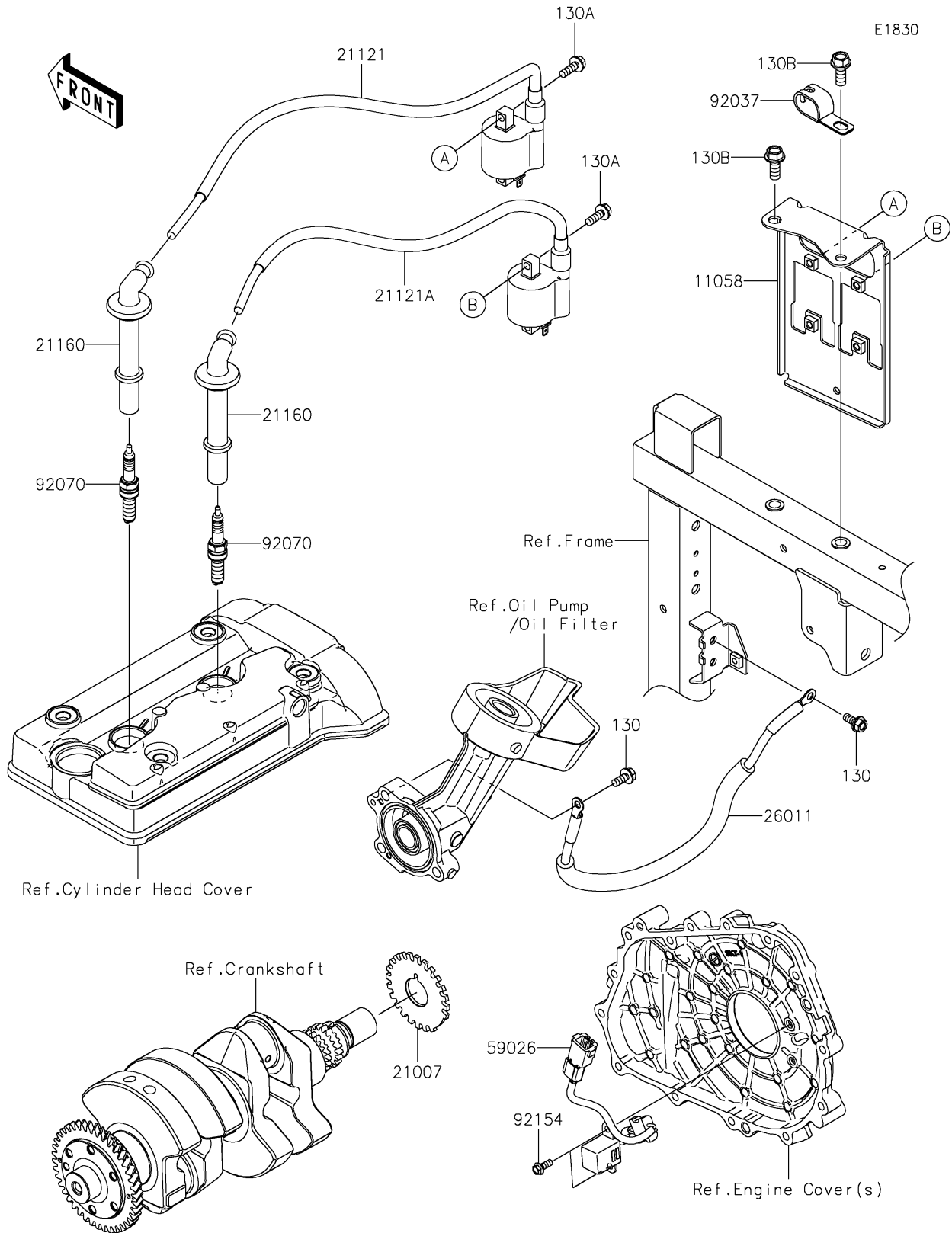


2024 MULE PRO-FXT™ 1000 LE RANCH EDITION PARTS DIAGRAM

Ignition System



2024 MULE PRO-FXT™ 1000 LE RANCH EDITION PARTS LIST

Ignition System

| ITEM NAME | PART NUMBER | QUANTITY |
|--------------------------------------|-------------|----------|
| BRACKET,COIL-IGNITION (Ref # 11058) | 11058-0333 | 1 |
| ROTOR (Ref # 21007) | 21007-0726 | 1 |
| COIL-IGNITION,#1 (Ref # 21121) | 21121-0751 | 1 |
| COIL-IGNITION,#2 (Ref # 21121A) | 21121-0752 | 1 |
| CAP-ASSY-PLUG (Ref # 21160) | 21160-0030 | 2 |
| WIRE-LEAD (Ref # 26011) | 26011-2420 | 1 |
| COIL-PULSING (Ref # 59026) | 59026-0566 | 1 |
| CLAMP (Ref # 92037) | 92037-2204 | 1 |
| PLUG-SPARK,LMAR9G(NGK) (Ref # 92070) | 92070-0716 | 2 |
| BOLT,FLANGED,5X14 (Ref # 92154) | 92154-3884 | 2 |
| BOLT-FLANGED,6X14 (Ref # 130) | 130BA0614 | 2 |
| BOLT-FLANGED,6X18 (Ref # 130A) | 130BA0618 | 4 |
| BOLT-FLANGED,8X20 (Ref # 130B) | 130BA0820 | 2 |