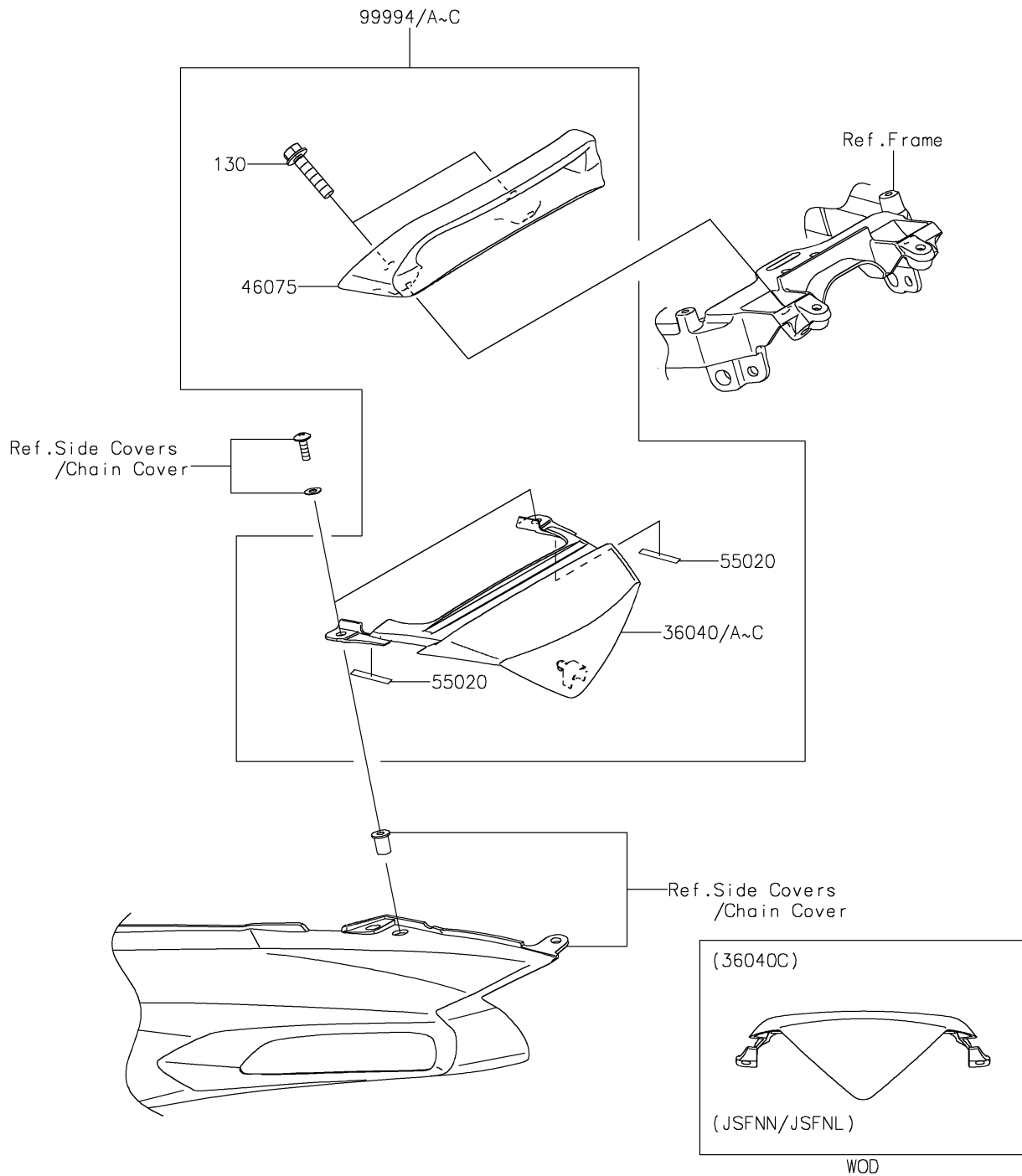


# 2023 Ninja ZX-14R ABS SE

## PARTS DIAGRAM

### Accessory(Tail Grip)

F2910



# 2023 Ninja ZX-14R ABS SE

## PARTS LIST

### Accessory(Tail Grip)

| ITEM NAME                              | PART NUMBER    | QUANTITY |
|--|----------------|----------|
| COVER-TAIL,CNT,M.D.BLACK (Ref # 36040) | 36040-0059-17K | 1        |
| COVER-TAIL,CNT,F.EBONY (Ref # 36040A)  | 36040-0059-45L | 1        |
| GRIP,TAIL,F.BLACK (Ref # 46075)        | 46075-1104-21  | 1        |
| GUARD,TAIL COVER (Ref # 55020)         | 55020-0277     | 2        |
| KIT,TAIL GRIP,M.D.BLACK (Ref # 99994)  | 99994-0341-17K | 1        |
| KIT,TAIL GRIP,F.EBONY (Ref # 99994A)   | 99994-0341-45L | 1        |
| BOLT-FLANGED,8X35 (Ref # 130)          | 130BA0835      | 2        |