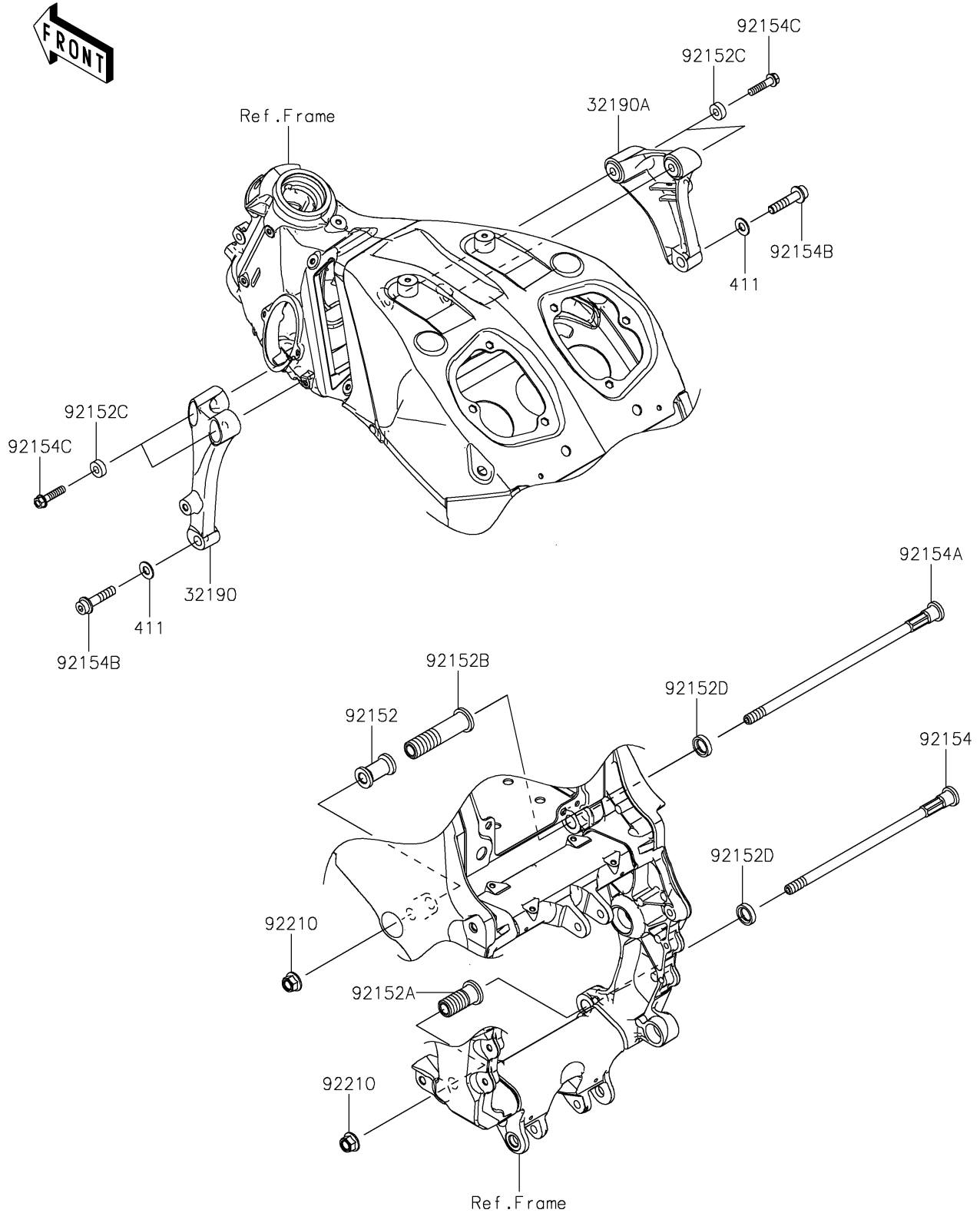


2024 Ninja ZX-14R ABS SE PARTS DIAGRAM

Engine Mount

F2122



2024 Ninja ZX-14R ABS SE PARTS LIST

Engine Mount

ITEM NAME	PART NUMBER	QUANTITY
BRACKET-ENGINE,FR,LH (Ref # 32190)	32190-0424	1
BRACKET-ENGINE,FR,RH (Ref # 32190A)	32190-0425	1
COLLAR,L=43.2 (Ref # 92152)	92152-0368	1
COLLAR,ADJUST,RR,LWR (Ref # 92152A)	92152-0370	1
COLLAR,ADJUST,RR,UPP (Ref # 92152B)	92152-0371	1
COLLAR,8.8X20X7 (Ref # 92152C)	92152-0502	4
COLLAR,16.6X26X6 (Ref # 92152D)	92152-1561	2
BOLT,SOCKET,12X274 (Ref # 92154)	92154-0908	1
BOLT,SOCKET,12X318 (Ref # 92154A)	92154-0909	1
BOLT,SOCKET,10X45 (Ref # 92154B)	92154-1862	2
BOLT,FLANGED,8X35 (Ref # 92154C)	92154-1863	4
NUT,LOCK,FLANGED,12MM (Ref # 92210)	92210-0287	2
WASHER-PLAIN,10MM (Ref # 411)	411AA1000	2