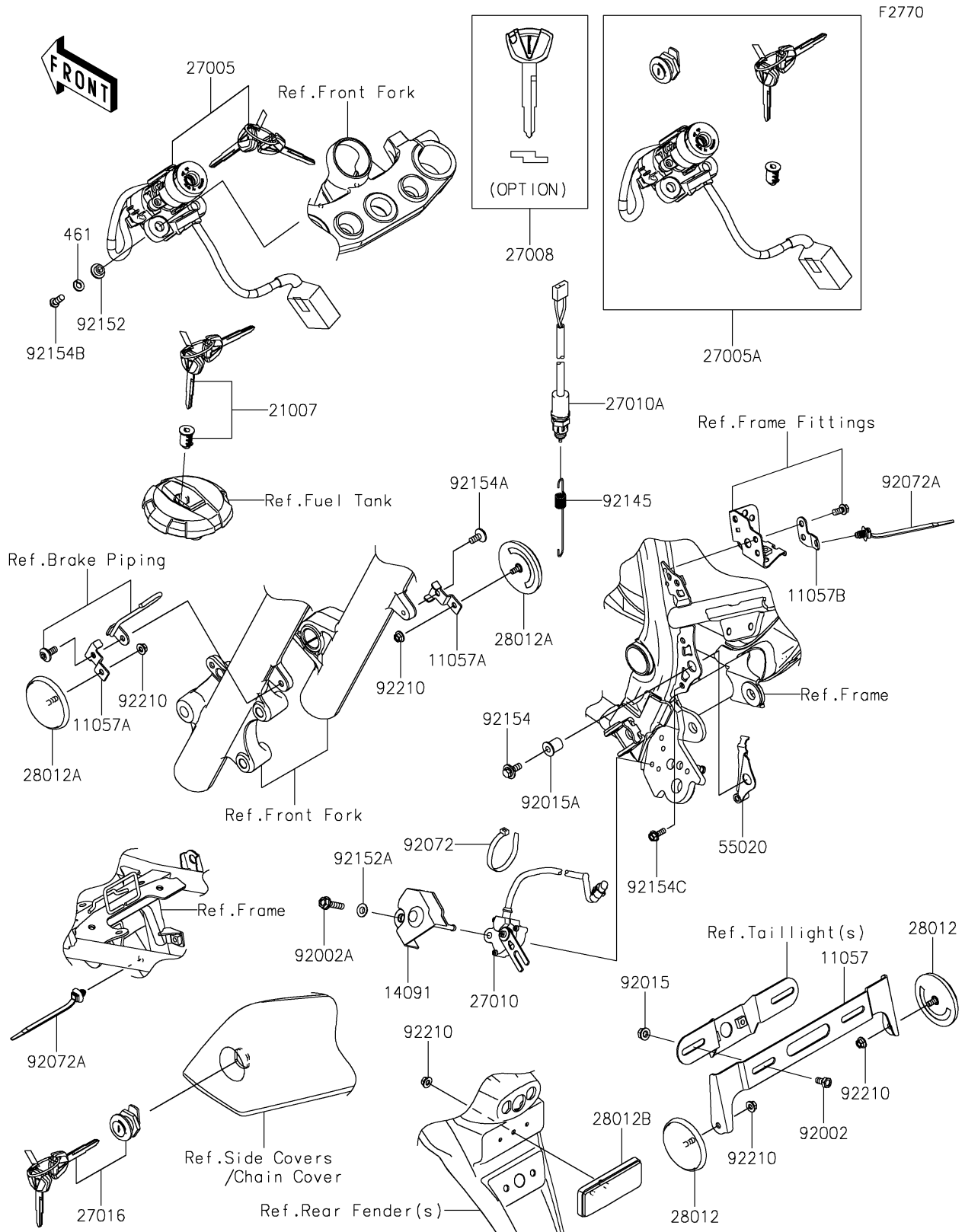


2024 KLX® 230 S ABS PARTS DIAGRAM

Ignition Switch



2024 KLX® 230 S ABS PARTS LIST

Ignition Switch

| ITEM NAME | PART NUMBER | QUANTITY |
|---------------------------------------|-------------|----------|
| BRACKET,REFLECTOR (Ref # 11057) | 11057-0641 | 1 |
| BRACKET,FR (Ref # 11057A) | 11057-2421 | 2 |
| BRACKET (Ref # 11057B) | 11057-4032 | 1 |
| COVER,SIDE STAND SWITCH (Ref # 14091) | 14091-1553 | 1 |
| ROTOR,LOCK,TANK CAP (Ref # 21007) | 21007-5077 | 1 |
| SWITCH-ASSY-IGNITION (Ref # 27005) | 27005-0721 | 1 |
| SWITCH-ASSY-IGNITION (Ref # 27005A) | 27005-5194 | 1 |
| KEY-LOCK,BLANK (Ref # 27008) | 27008-0596 | 1 |
| SWITCH,SIDE STAND (Ref # 27010) | 27010-0097 | 1 |
| SWITCH,REAR BRAKE (Ref # 27010A) | 27010-0106 | 1 |
| LOCK-ASSY (Ref # 27016) | 27016-5387 | 1 |
| REFLECTOR-REFLEX (Ref # 28012) | 28012-0002 | 2 |
| REFLECTOR-REFLEX (Ref # 28012A) | 28012-0008 | 2 |
| REFLECTOR-REFLEX (Ref # 28012B) | 28012-1077 | 1 |
| GUARD (Ref # 55020) | 55020-2307 | 1 |
| BOLT,6X12 (Ref # 92002) | 92002-1132 | 2 |
| BOLT,FLANGED,6X25 (Ref # 92002A) | 92002-1582 | 1 |
| NUT,FLANGED,6MM (Ref # 92015) | 92015-1367 | 2 |
| NUT (Ref # 92015A) | 92015-1700 | 1 |
| BAND,L=200 (Ref # 92072) | 92072-0946 | 1 |
| BAND,OS170-FT7(BLACK) (Ref # 92072A) | 92072-0947 | 2 |
| SPRING (Ref # 92145) | 92145-1940 | 1 |
| COLLAR,6.15X10.15X6 (Ref # 92152) | 92152-1535 | 2 |
| COLLAR,6.4X8X4.3 (Ref # 92152A) | 92152-2212 | 1 |
| BOLT,FLANGED-SMALL,6X16 (Ref # 92154) | 92154-1183 | 1 |
| BOLT,SOCKET,6X14 (Ref # 92154A) | 92154-3763 | 1 |
| BOLT,TORX,6X16 (Ref # 92154B) | 92154-7275 | 2 |
| BOLT,FLANGED,5X14 (Ref # 92154C) | 92154-7277 | 1 |
| NUT,FLANGED,5MM (Ref # 92210) | 92210-0007 | 5 |

2024 KLX® 230 S ABS PARTS LIST

Ignition Switch

| ITEM NAME | PART NUMBER | QUANTITY |
|-------------------------------|-------------|----------|
| WASHER-SPRING,6MM (Ref # 461) | 461DA0600 | 2 |