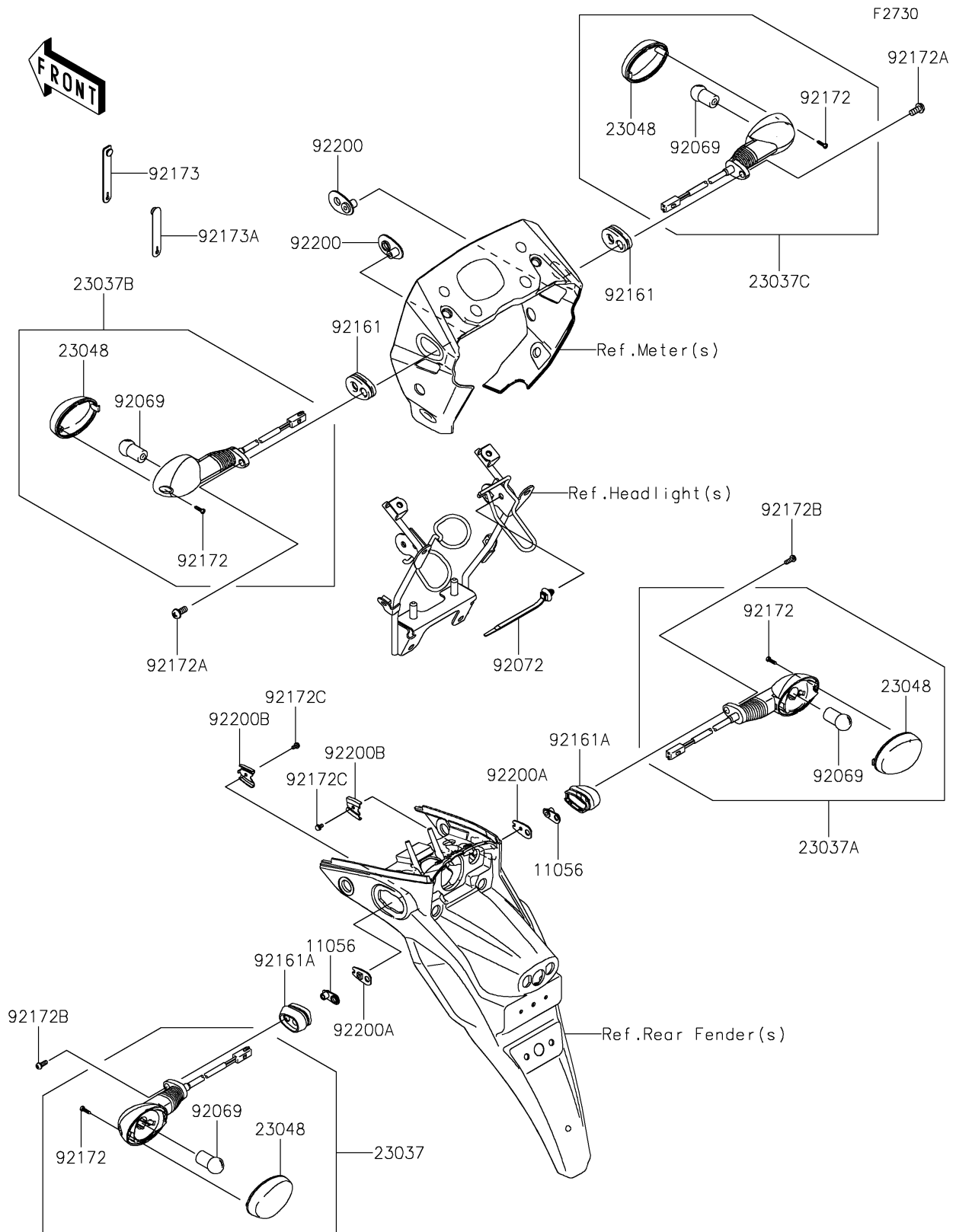


2024 KLX230 S ABS PARTS DIAGRAM

Turn Signals



2024 KLX230 S ABS PARTS LIST

Turn Signals

ITEM NAME	PART NUMBER	QUANTITY
BRACKET,6MM (Ref # 11056)	11056-4156	2
LAMP-ASSY-SIGNAL,RR,LH (Ref # 23037)	23037-0418	1
LAMP-ASSY-SIGNAL,RR,RH (Ref # 23037A)	23037-0419	1
LAMP-ASSY-SIGNAL,FR,LH (Ref # 23037B)	23037-0456	1
LAMP-ASSY-SIGNAL,FR,RH (Ref # 23037C)	23037-0457	1
LENS-SIGNAL LAMP (Ref # 23048)	23048-0035	4
BULB,12V 10W (Ref # 92069)	92069-0106	4
BAND,OS170-FT7(BLACK) (Ref # 92072)	92072-0947	1
DAMPER,MOUNT,FR (Ref # 92161)	92161-2113	2
DAMPER,SIGNAL LAMP (Ref # 92161A)	92161-2549	2
SCREW,TAPPING,2.9X13 (Ref # 92172)	92172-0343	4
SCREW,6X14 (Ref # 92172A)	92172-0497	2
SCREW-PAN-WP-CROS,6X14 (Ref # 92172B)	92172-1256	2
SCREW,4X8 (Ref # 92172C)	92172-1542	2
CLAMP (Ref # 92173)	92173-2198	1
CLAMP (Ref # 92173A)	92173-2199	1
WASHER,SIGNAL LAMP (Ref # 92200)	92200-0370	2
WASHER,W/NUT,M4 (Ref # 92200A)	92200-1978	2
WASHER (Ref # 92200B)	92200-1979	2