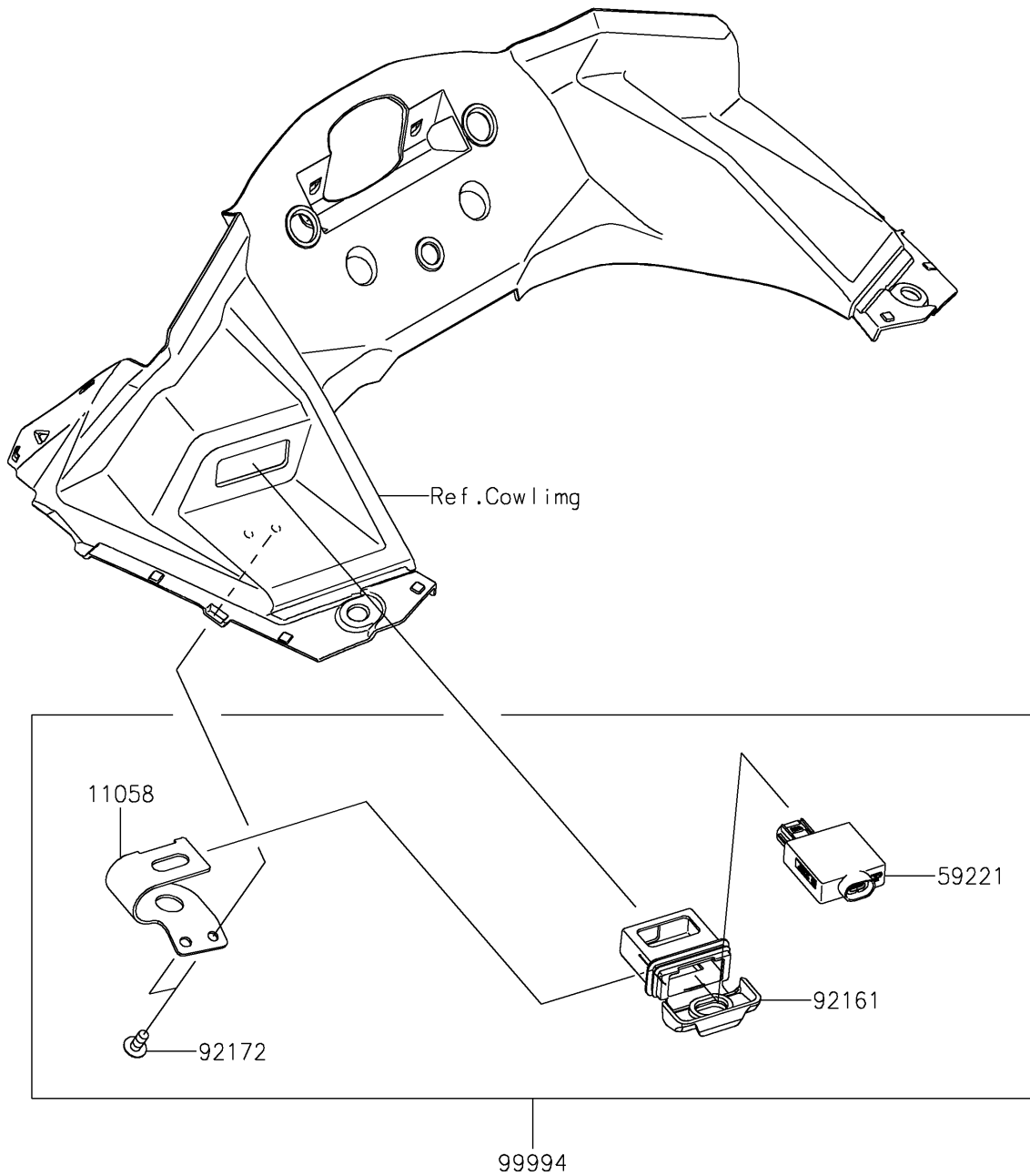


2025 Ninja 500 PARTS DIAGRAM

Accessory(USB Output)

F2910B



2025 Ninja 500 PARTS LIST

Accessory(USB Output)

| ITEM NAME | PART NUMBER | QUANTITY |
|---|-------------|----------|
| BRACKET,USB SOCKET (Ref # 11058) | 11058-1216 | 1 |
| CONNECTOR-CORD,USB TYPE-C (Ref # 59221) | 59221-0022 | 1 |
| DAMPER (Ref # 92161) | 92161-2526 | 1 |
| SCREW,5X12 (Ref # 92172) | 92172-0821 | 2 |
| USB TYPE-C (Ref # 99994) | 99994-2317 | 1 |