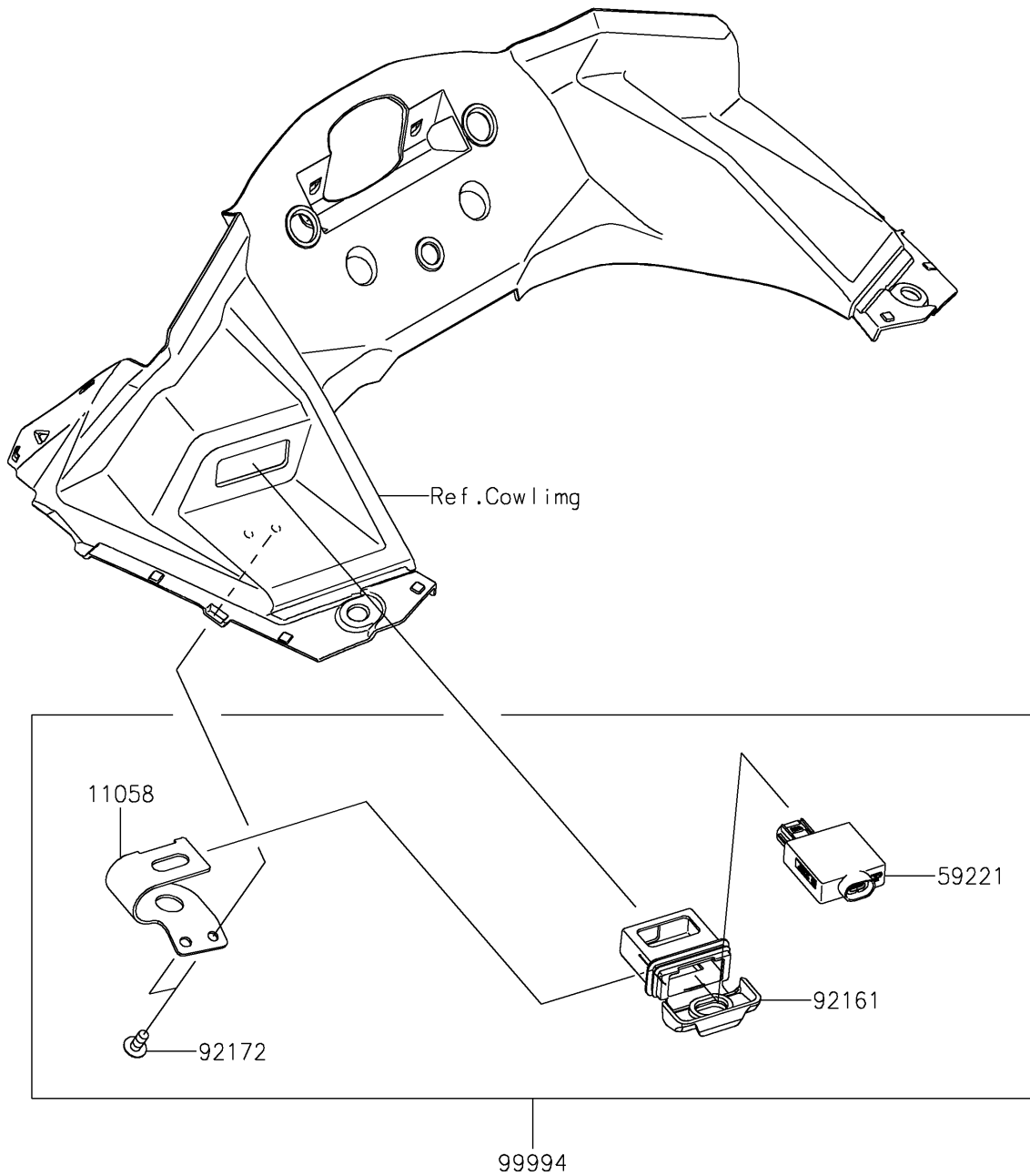


2024 NINJA® 500 PARTS DIAGRAM

Accessory(USB Output)

F2910B



2024 NINJA® 500 PARTS LIST

Accessory(USB Output)

ITEM NAME	PART NUMBER	QUANTITY
BRACKET,USB SOCKET (Ref # 11058)	11058-1216	1
CONNECTOR-CORD,USB TYPE-C (Ref # 59221)	59221-0022	1
DAMPER (Ref # 92161)	92161-2526	1
SCREW,5X12 (Ref # 92172)	92172-0821	2
USB TYPE-C (Ref # 99994)	99994-2317	1