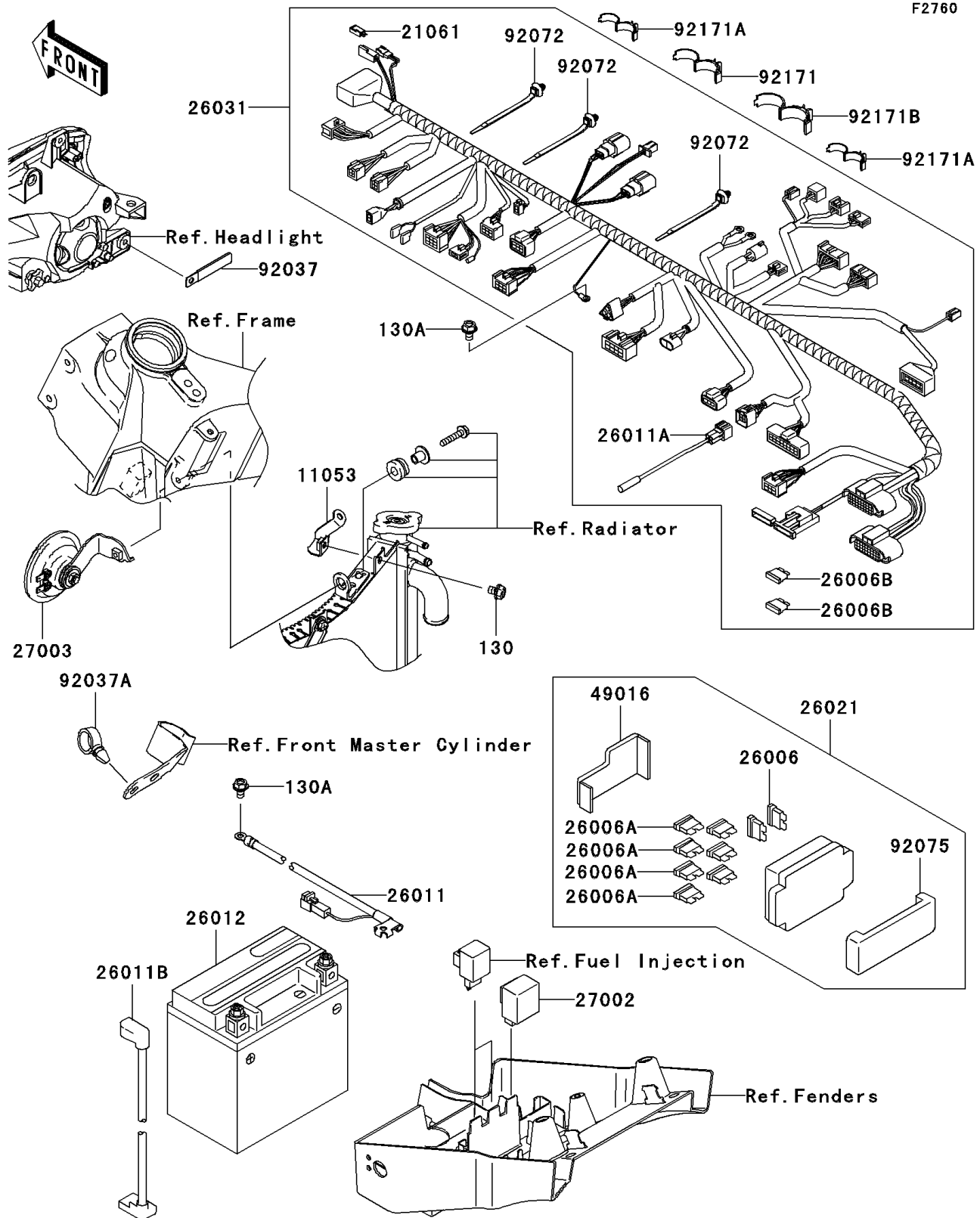


## 2004 Ninja® ZX™-6RR PARTS DIAGRAM

Chassis Electrical Equipment



F2760

## 2004 Ninja® ZX™-6RR PARTS LIST

Chassis Electrical Equipment

ITEM NAME	PART NUMBER	QUANTITY
BOLT-FLANGED (Ref # 130)	130J0610	1
BOLT-FLANGED,6X10 (Ref # 130A)	130V0610	1
BRACKET,RADIATOR (Ref # 11053)	11053-1228	1
RECTIFIER (Ref # 21061)	21061-0001	1
FUSE,30A-G (Ref # 26006)	26006-1067	1
FUSE,10A-R (Ref # 26006A)	26006-1068	1
FUSE,15A (Ref # 26006B)	26006-1075	1
WIRE-LEAD,BATTERY(-) (Ref # 26011)	26011-0004	1
WIRE-LEAD,DIAGNOSIS (Ref # 26011A)	26011-1774	1
WIRE-LEAD,BATTERY(+) (Ref # 26011B)	26011-1843	1
BATTERY,YTX9-BS,12V 8AH (Ref # 26012)	26012-1326	1
JUNCTION BOX (Ref # 26021)	26021-1089	1
HARNESS,MAIN (Ref # 26031)	26031-0138	1
RELAY-ASSY,TURN SIGNAL (Ref # 27002)	27002-1101	1
HORN (Ref # 27003)	27003-1433	1
COVER-SEAL,FUSE (Ref # 49016)	49016-1177	1
CLAMP,L=60 (Ref # 92037)	92037-1069	1
CLAMP,HOSE (Ref # 92037A)	92037-1827	1
BAND (Ref # 92072)	92072-1414	1
DAMPER,JUNCTION BOX (Ref # 92075)	92075-1688	1
CLAMP,DIA=20 (Ref # 92171)	92171-0081	1
CLAMP,DIA=15 (Ref # 92171A)	92171-1424	1
CLAMP,DIA=25 (Ref # 92171B)	92171-1559	1