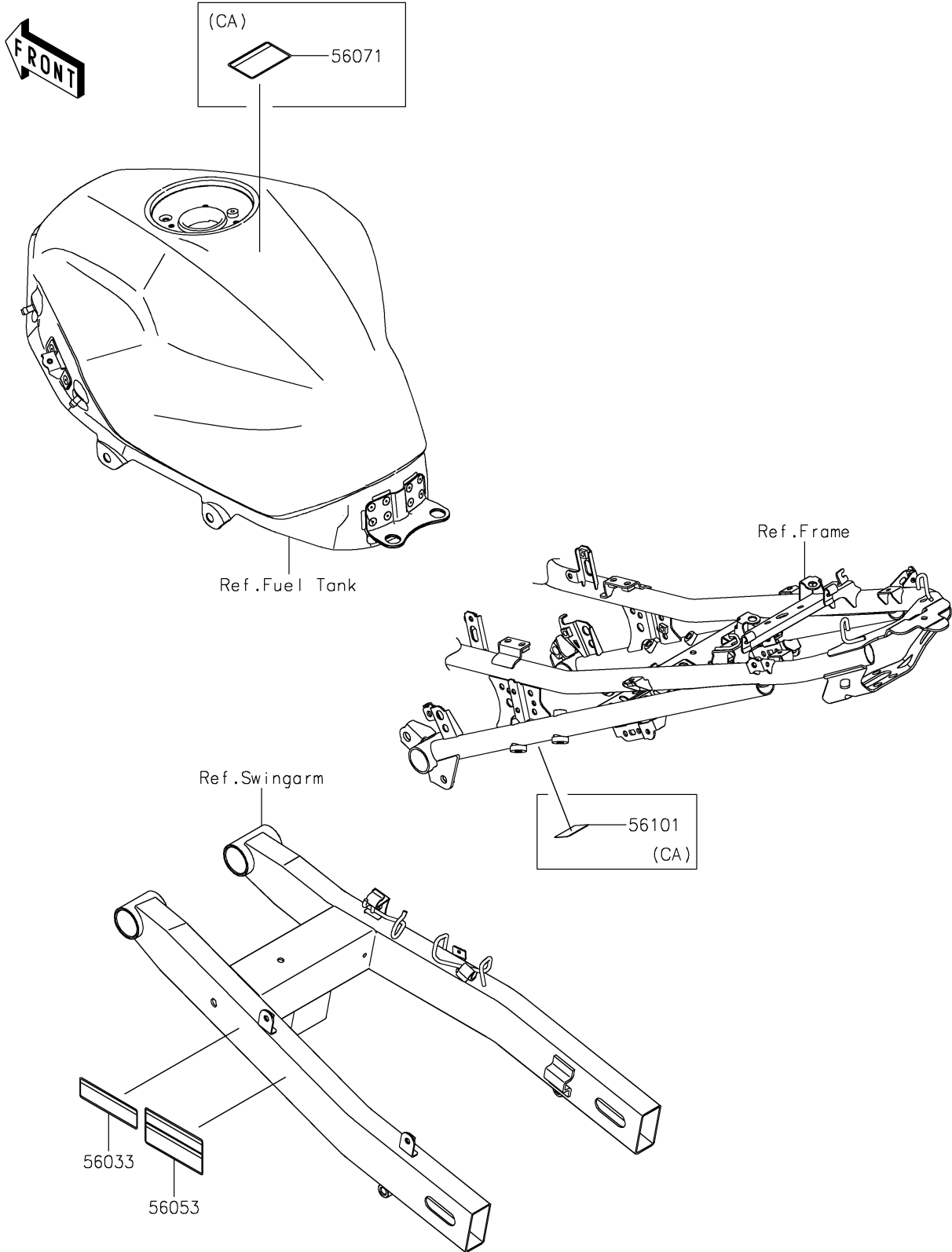


2024 NINJA® 500 PARTS DIAGRAM

Labels

F2860



2024 NINJA® 500 PARTS LIST

Labels

| ITEM NAME | PART NUMBER | QUANTITY |
|---|-------------|----------|
| LABEL-MANUAL,CHAIN (Ref # 56033) | 56033-0850 | 1 |
| LABEL-SPECIFICATION,TIRE&LOAD (Ref # 56053) | 56053-1580 | 1 |
| LABEL-WARNING,EVAPO (Ref # 56071) | 56071-0158 | 1 |
| LABEL-CERTIFICATION,EVAPO (Ref # 56101) | 56101-0512 | 1 |