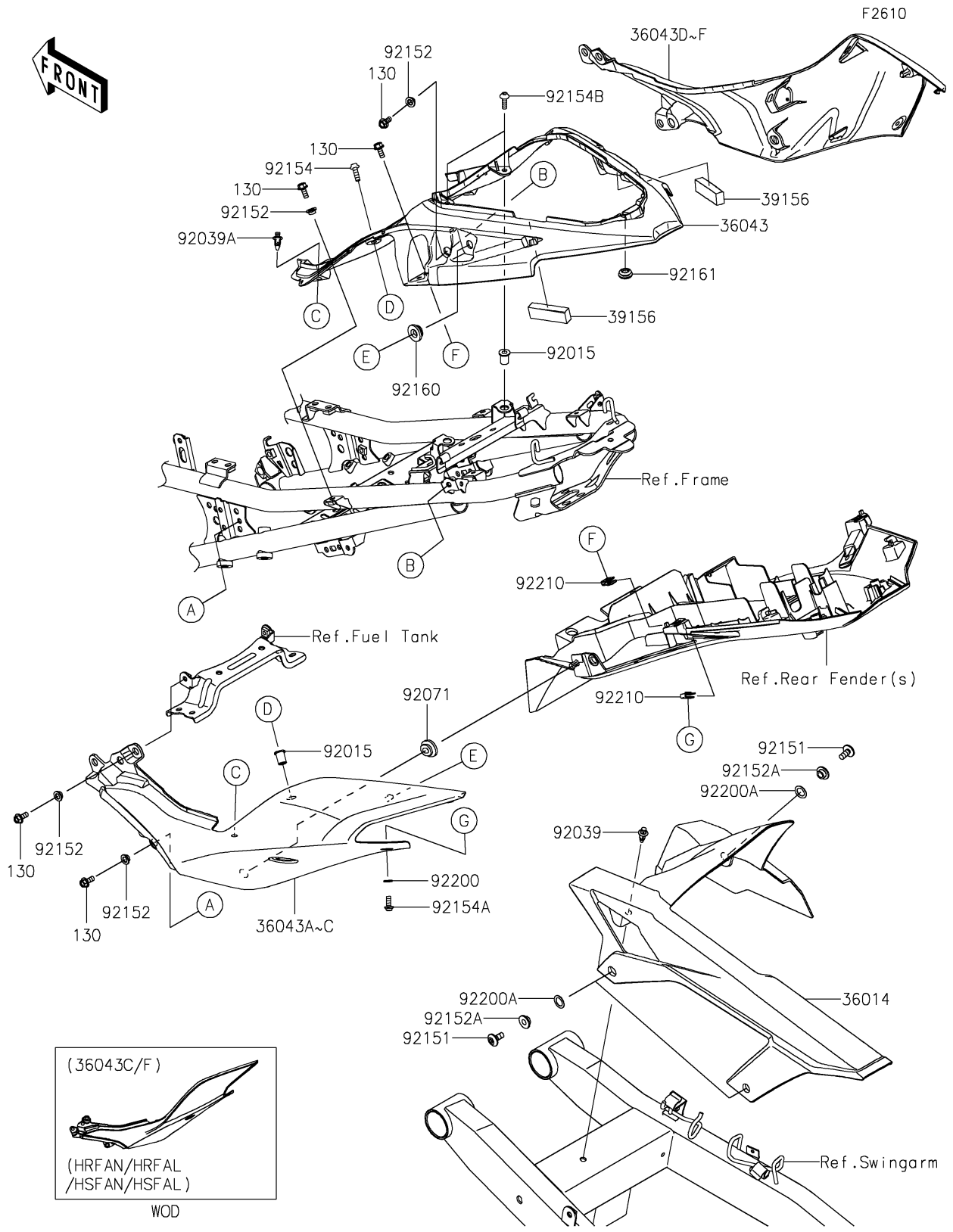


2024 NINJA® 500 PARTS DIAGRAM

Side Covers/Chain Cover



2024 NINJA® 500 PARTS LIST

Side Covers/Chain Cover

ITEM NAME	PART NUMBER	QUANTITY
CASE-CHAIN (Ref # 36014)	36014-0571	1
COVER-TAIL,CNT (Ref # 36043)	36043-0001	1
COVER-TAIL,LH,M.S.BLACK (Ref # 36043B)	36043-0002-660	1
COVER-TAIL,RH,M.S.BLACK (Ref # 36043E)	36043-0003-660	1
PAD,50X10X15 (Ref # 39156)	39156-2932	2
NUT,WELL,5MM (Ref # 92015)	92015-1757	4
RIVET (Ref # 92039)	92039-0060	1
RIVET (Ref # 92039A)	92039-0709	2
GROMMET,20X24X7.5 (Ref # 92071)	92071-0766	2
BOLT,SOCKET,6X14 (Ref # 92151)	92151-1654	3
COLLAR,6X8X4.5 (Ref # 92152)	92152-2395	8
COLLAR,6.5X10X5.9 (Ref # 92152A)	92152-2486	3
BOLT,SOCKET,5X16 (Ref # 92154)	92154-1701	2
BOLT,SOCKET,5X12 (Ref # 92154A)	92154-4289	2
BOLT,SOCKET,5X16 (Ref # 92154B)	92154-4294	2
DAMPER (Ref # 92160)	92160-1613	2
DAMPER (Ref # 92161)	92161-0631	1
WASHER,5.2X10X1 (Ref # 92200)	92200-2286	2
WASHER,10.4X15.9X0.5 (Ref # 92200A)	92200-2525	3
NUT (Ref # 92210)	92210-0571	4
BOLT-FLANGED,5X12 (Ref # 130)	130BA0512	10