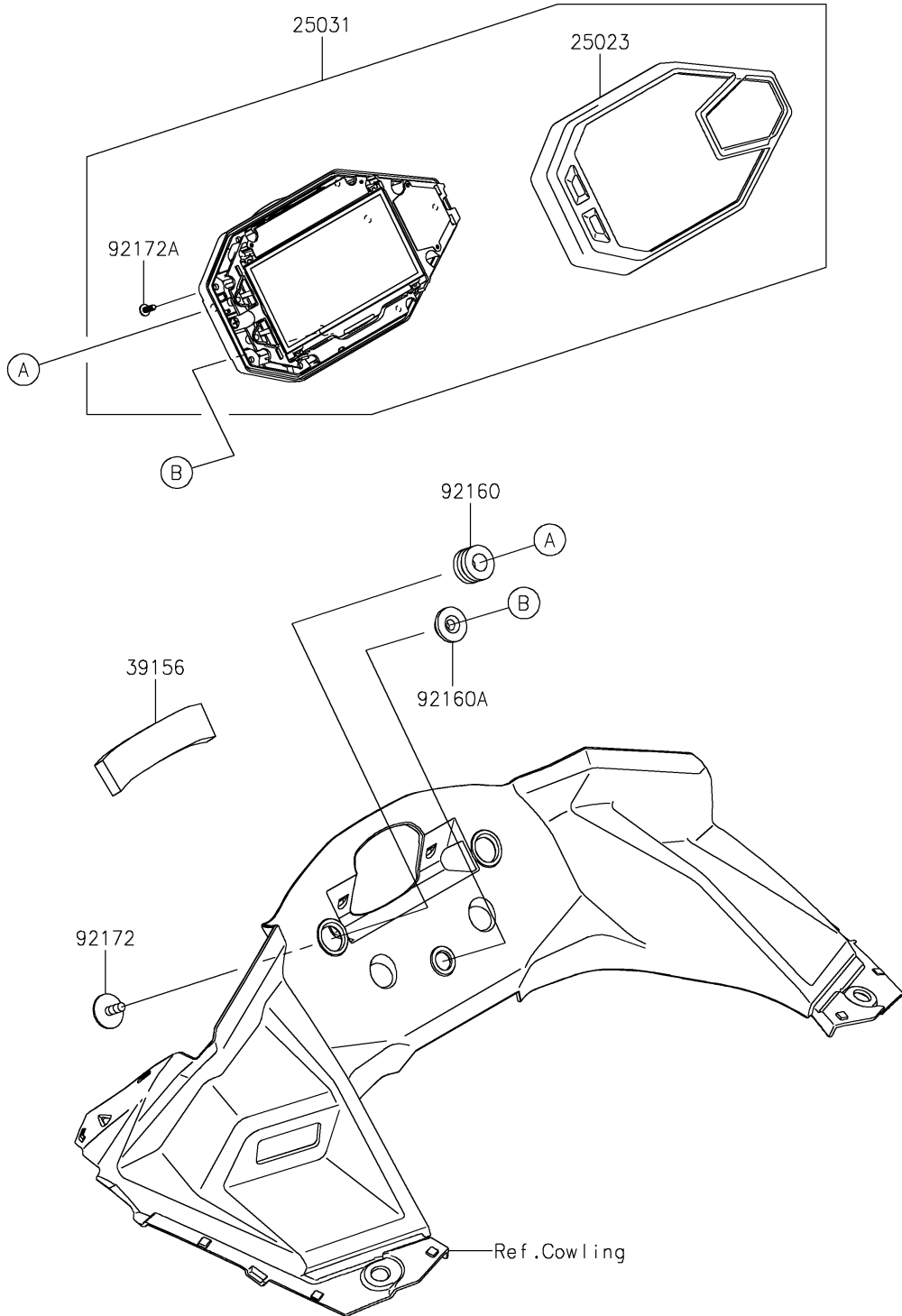


2025 Ninja 500 PARTS DIAGRAM

Meter(s)

F2530



2025 Ninja 500 PARTS LIST

Meter(s)

| ITEM NAME | PART NUMBER | QUANTITY |
|--------------------------------------|-------------|----------|
| COVER-METER CASE,UPP (Ref # 25023) | 25023-0156 | 1 |
| METER-ASSY,COMBINATION (Ref # 25031) | 25031-1367 | 1 |
| PAD,80X10X20 (Ref # 39156) | 39156-2580 | 1 |
| DAMPER,10X20X12 (Ref # 92160) | 92160-1167 | 2 |
| DAMPER (Ref # 92160A) | 92160-1613 | 1 |
| SCREW,CROSS,5X14 (Ref # 92172) | 92172-1438 | 2 |
| SCREW,TAPPING,3X14 (Ref # 92172A) | 92172-1571 | 7 |