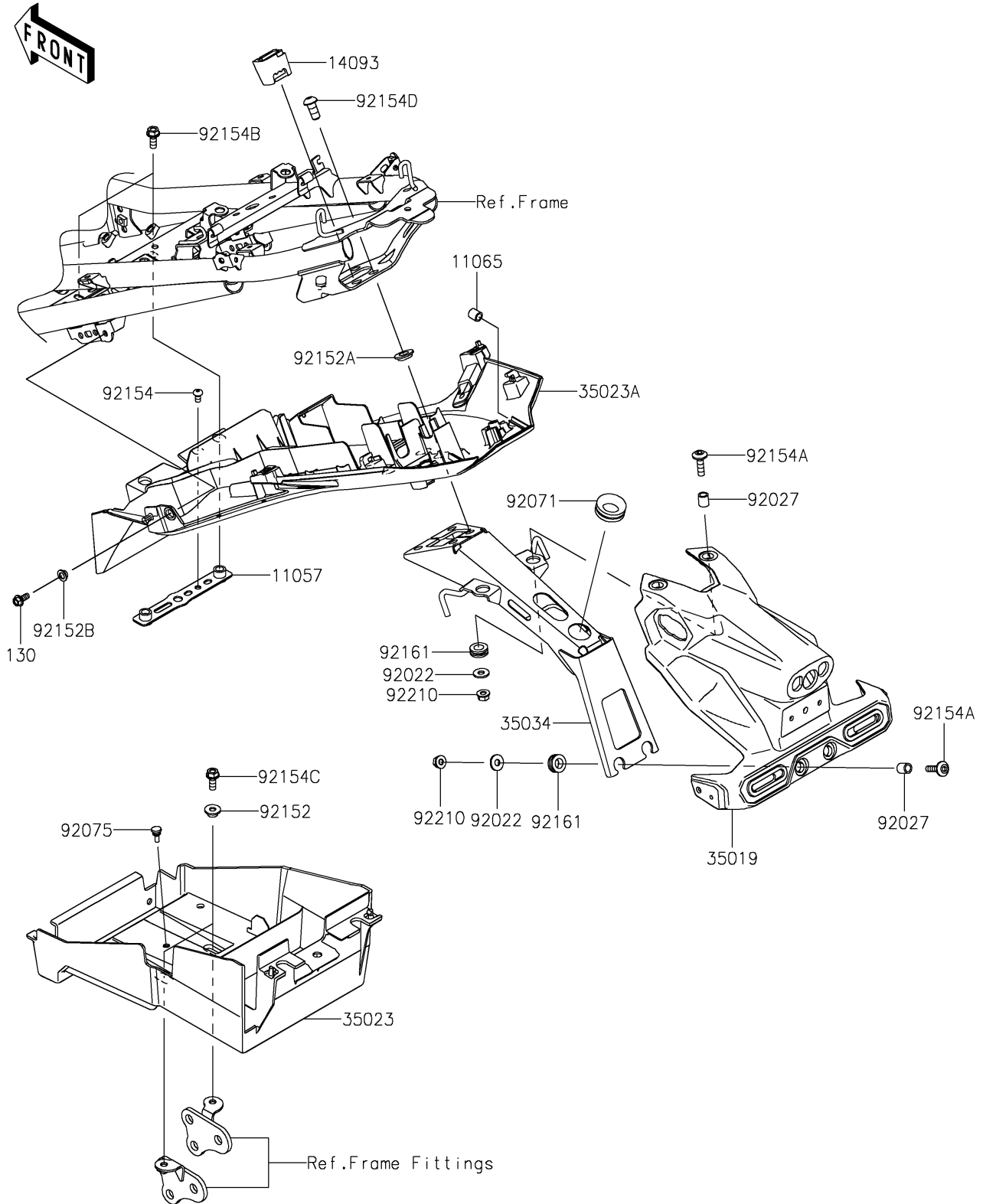


# 2025 Ninja 500 PARTS DIAGRAM

Rear Fender(s)

F2172



## 2025 Ninja 500 PARTS LIST

### Rear Fender(s)

| ITEM NAME                        | PART NUMBER | QUANTITY |
|----------------------------------|-------------|----------|
| BRACKET (Ref # 11057)            | 11057-1191  | 1        |
| CAP (Ref # 11065)                | 11065-0156  | 2        |
| COVER,RR FENDER (Ref # 14093)    | 14093-1533  | 1        |
| FLAP (Ref # 35019)               | 35019-0639  | 1        |
| FENDER-REAR (Ref # 35023)        | 35023-0438  | 1        |
| FENDER-REAR (Ref # 35023A)       | 35023-0500  | 1        |
| REINFORCE (Ref # 35034)          | 35034-0616  | 1        |
| WASHER (Ref # 92022)             | 92022-2247  | 4        |
| COLLAR,6.8X10X11.5 (Ref # 92027) | 92027-1210  | 4        |
| GROMMET (Ref # 92071)            | 92071-0709  | 1        |
| DAMPER,6X10X15 (Ref # 92075)     | 92075-1808  | 1        |
| COLLAR,6.5X10X6.4 (Ref # 92152)  | 92152-2287  | 2        |
| COLLAR,10X20X4.5 (Ref # 92152A)  | 92152-2392  | 4        |
| COLLAR,6X8X4.5 (Ref # 92152B)    | 92152-2395  | 2        |
| BOLT,SOCKET,5X10 (Ref # 92154)   | 92154-1547  | 1        |
| BOLT,SOCKET,6X22 (Ref # 92154A)  | 92154-2234  | 4        |
| BOLT,FLANGED,6X16 (Ref # 92154B) | 92154-2895  | 2        |
| BOLT,FLANGED,6X16 (Ref # 92154C) | 92154-2900  | 2        |
| BOLT,SOCKET,8X18 (Ref # 92154D)  | 92154-3739  | 4        |
| DAMPER,10X18X6.5 (Ref # 92161)   | 92161-2091  | 4        |
| NUT,FLANGED,6MM (Ref # 92210)    | 92210-1514  | 4        |
| BOLT-FLANGED,5X12 (Ref # 130)    | 130BA0512   | 2        |