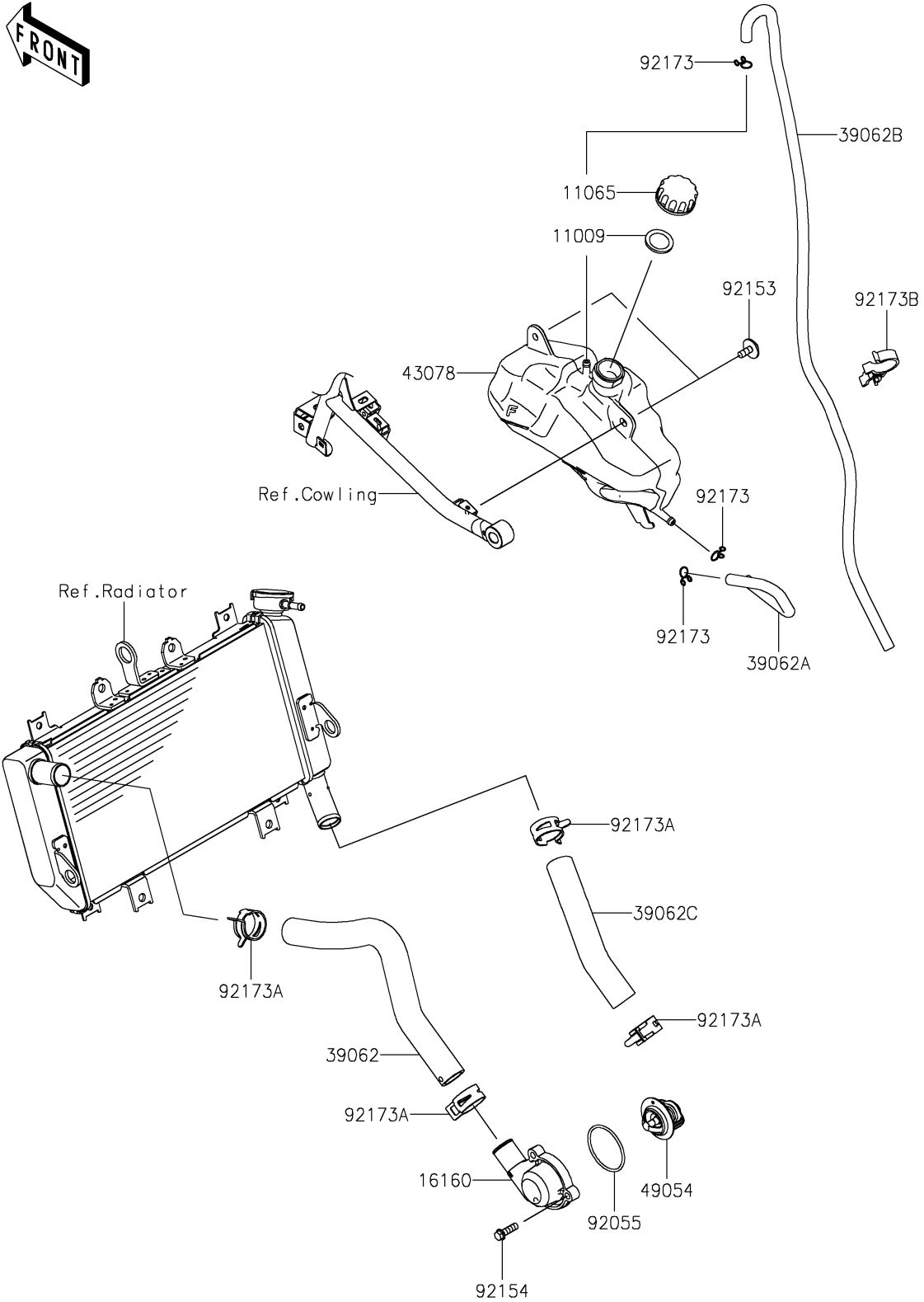


# 2024 NINJA® 500 PARTS DIAGRAM

## Water Pipe

E3037



## 2024 NINJA® 500 PARTS LIST

### Water Pipe

| ITEM NAME                                   | PART NUMBER | QUANTITY |
|---|-------------|----------|
| GASKET,RESERVOIR TANK CAP (Ref # 11009)     | 11009-1145  | 1        |
| CAP (Ref # 11065)                           | 11065-0969  | 1        |
| BODY,THERMOSTAT (Ref # 16160)               | 16160-0830  | 1        |
| HOSE-COOLING,THERMO.-RADIATOR (Ref # 39062) | 39062-0781  | 1        |
| HOSE-COOLING,RAD.-RESERVOIR (Ref # 39062A)  | 39062-0784  | 1        |
| HOSE-COOLING,OVER FLOW (Ref # 39062B)       | 39062-0823  | 1        |
| HOSE-COOLING,RADIATOR-W/PUMP (Ref # 39062C) | 39062-0861  | 1        |
| RESERVOIR (Ref # 43078)                     | 43078-0600  | 1        |
| THERMOSTAT (Ref # 49054)                    | 49054-0001  | 1        |
| RING-O,46.7X2.4 (Ref # 92055)               | 92055-0992  | 1        |
| BOLT,FLANGED-SMALL,6X16 (Ref # 92153)       | 92153-1798  | 2        |
| BOLT,FLANGED,6X20 (Ref # 92154)             | 92154-1778  | 3        |
| CLAMP (Ref # 92173)                         | 92173-0050  | 3        |
| CLAMP (Ref # 92173A)                        | 92173-1688  | 4        |
| CLAMP (Ref # 92173B)                        | 92173-1691  | 1        |