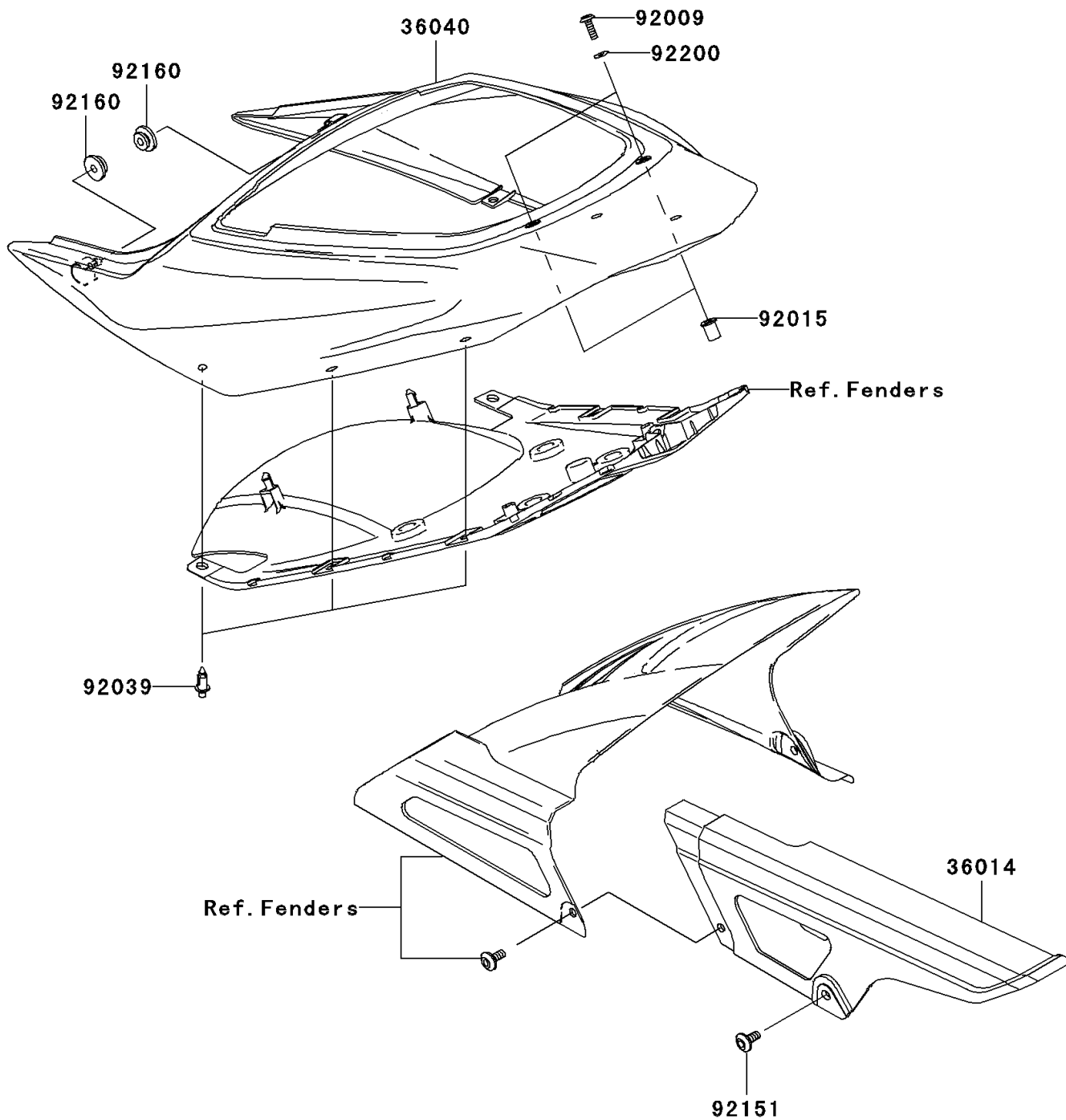


2004 Ninja® ZX™-6RR PARTS DIAGRAM

Side Covers/Chain Cover

F2610



2004 Ninja® ZX™-6RR PARTS LIST

Side Covers/Chain Cover

| ITEM NAME | PART NUMBER | QUANTITY |
|---|---------------|----------|
| CASE-CHAIN (Ref # 36014) | 36014-1263 | 1 |
| COVER-TAIL,L,GREEN (Ref # 36040) | 36040-0012-7F | 1 |
| SCREW,5X16 (Ref # 92009) | 92009-1909 | 1 |
| NUT,WELL,5MM (Ref # 92015) | 92015-1757 | 1 |
| RIVET (Ref # 92039) | 92039-1289 | 1 |
| BOLT,SOCKET,6X14 (Ref # 92151) | 92151-1654 | 1 |
| DAMPER (Ref # 92160) | 92160-1613 | 1 |
| WASHER,NYLON,5.3X11.5X0.5 (Ref # 92200) | 92200-1480 | 1 |