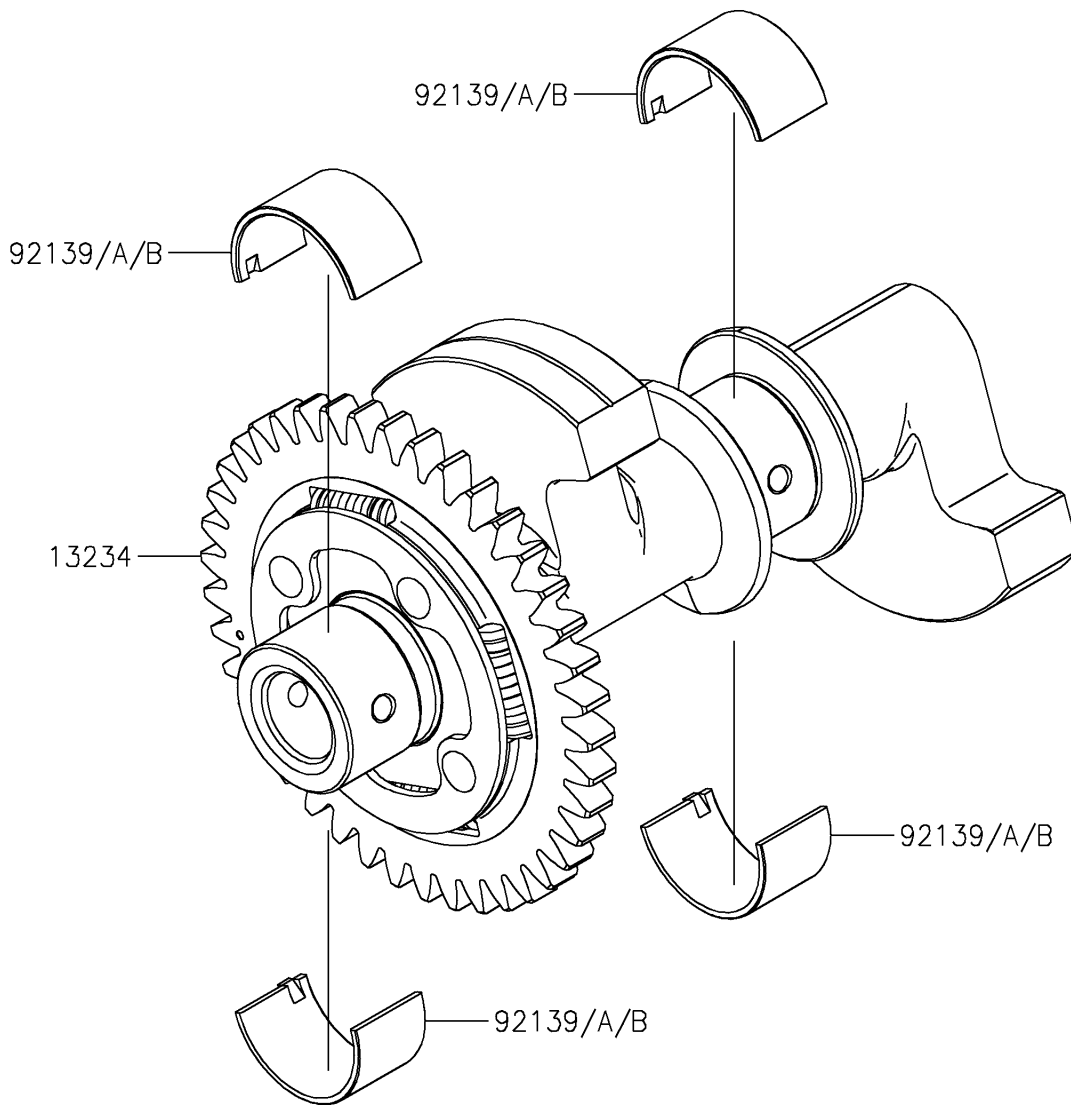


2025 NINJA[®] 500 ABS PARTS DIAGRAM

Balancer

E1323



2025 NINJA® 500 ABS PARTS LIST

Balancer

| ITEM NAME | PART NUMBER | QUANTITY |
|---------------------------------------|-------------|----------|
| SHAFT-COMP,BALANCER (Ref # 13234) | 13234-0627 | 1 |
| BUSHING,BALANCER,BLUE (Ref # 92139) | 92139-0883 | AR |
| BUSHING,BALANCER,BLACK (Ref # 92139A) | 92139-0884 | 4 |
| BUSHING,BALANCER,BROWN (Ref # 92139B) | 92139-0885 | AR |