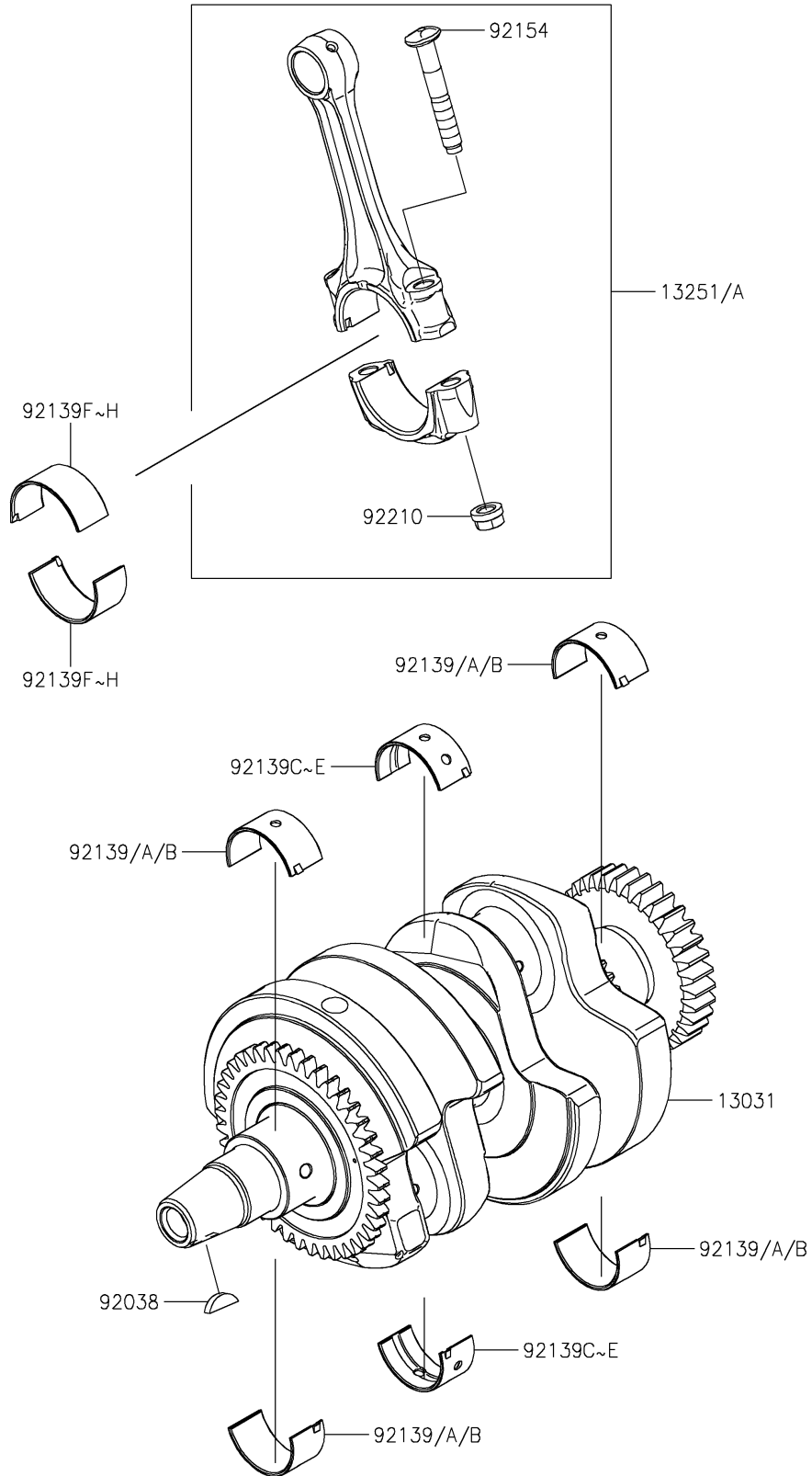


# 2025 Ninja 500 PARTS DIAGRAM

Crankshaft

E1321



## 2025 Ninja 500 PARTS LIST

### Crankshaft

ITEM NAME	PART NUMBER	QUANTITY
CRANKSHAFT-COMP (Ref # 13031)	13031-1560	1
ROD-ASSY-CONNECTING,G (Ref # 13251)	13251-0757-GG	2
ROD-ASSY-CONNECTING,H (Ref # 13251A)	13251-0757-HH	AR
KEY,WOODRUFF (Ref # 92038)	92038-001	1
BUSHING,CRANK #1&#3,BLUE (Ref # 92139)	92139-1200	AR
BUSHING,CRANK #1&#3,BLACK (Ref # 92139A)	92139-1201	4
BUSHING,CRANK #1&#3,BROWN (Ref # 92139B)	92139-1202	AR
BUSHING,CRANK #2,BLUE (Ref # 92139C)	92139-1203	AR
BUSHING,CRANK #2,BLACK (Ref # 92139D)	92139-1204	2
BUSHING,CRANK #2,BROWN (Ref # 92139E)	92139-1205	AR
BUSHING,CONNECTING ROD,BLUE (Ref # 92139F)	92139-1219	AR
BUSHING,CONNECTING ROD,BLACK (Ref # 92139G)	92139-1220	4
BUSHING,CONNECTING ROD,BROWN (Ref # 92139H)	92139-1221	AR
BOLT,7MM (Ref # 92154)	92154-7075	4
NUT,CONNECTING ROD,7MM (Ref # 92210)	92210-0384	4