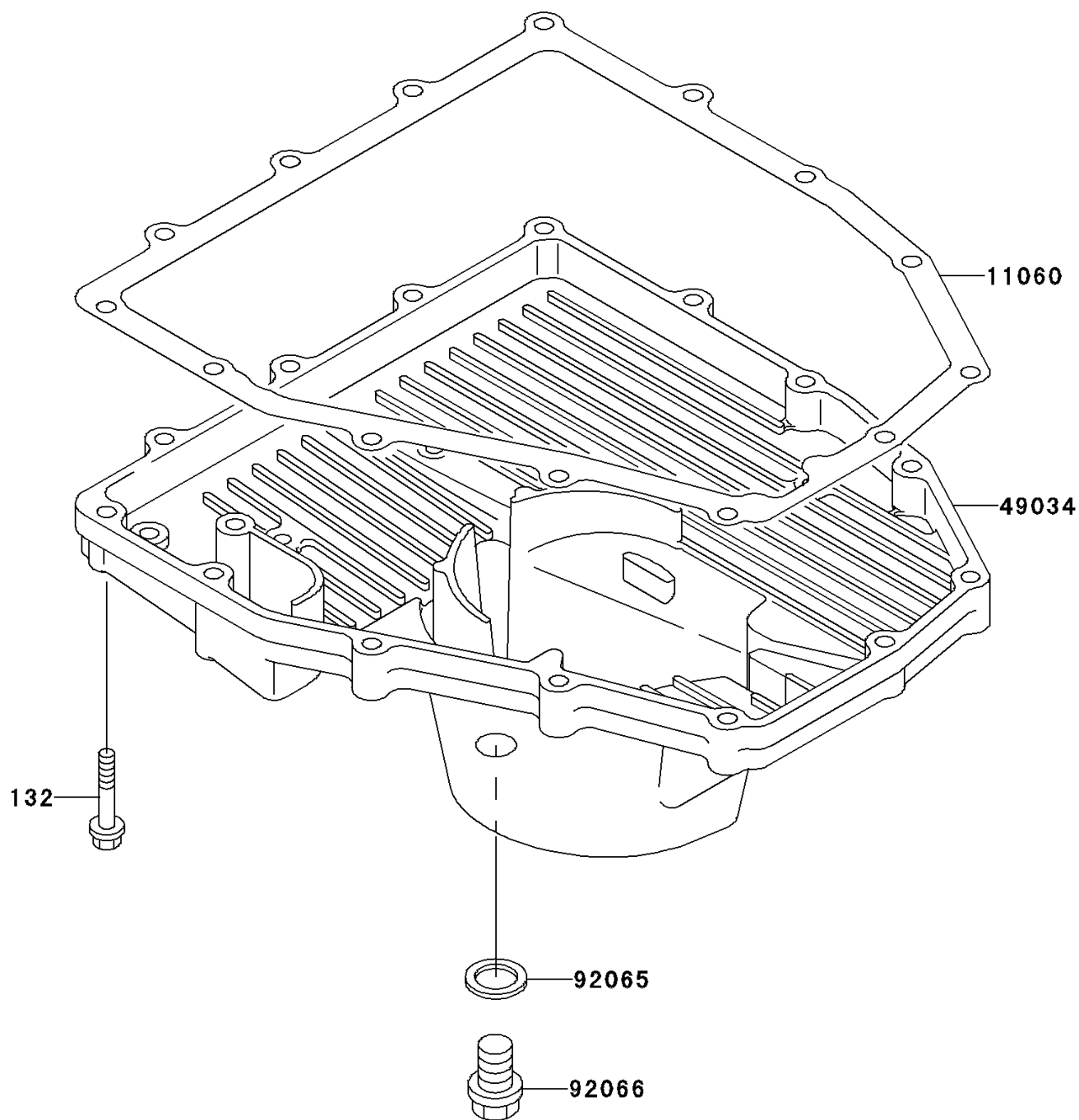


## 2000 Ninja® ZX™-6R PARTS DIAGRAM

Oil Pan

E1434



## 2000 Ninja® ZX™-6R PARTS LIST

Oil Pan

ITEM NAME	PART NUMBER	QUANTITY
BOLT-FLANGED-SMALL (Ref # 132)	132J0630	1
GASKET,OIL PAN (Ref # 11060)	11060-1996	1
PAN-OIL (Ref # 49034)	49034-1127	1
GASKET,12X22X2,DRAIN PLUG (Ref # 92065)	92065-097	1
PLUG,OIL DRAIN,12X15 (Ref # 92066)	92066-1174	1