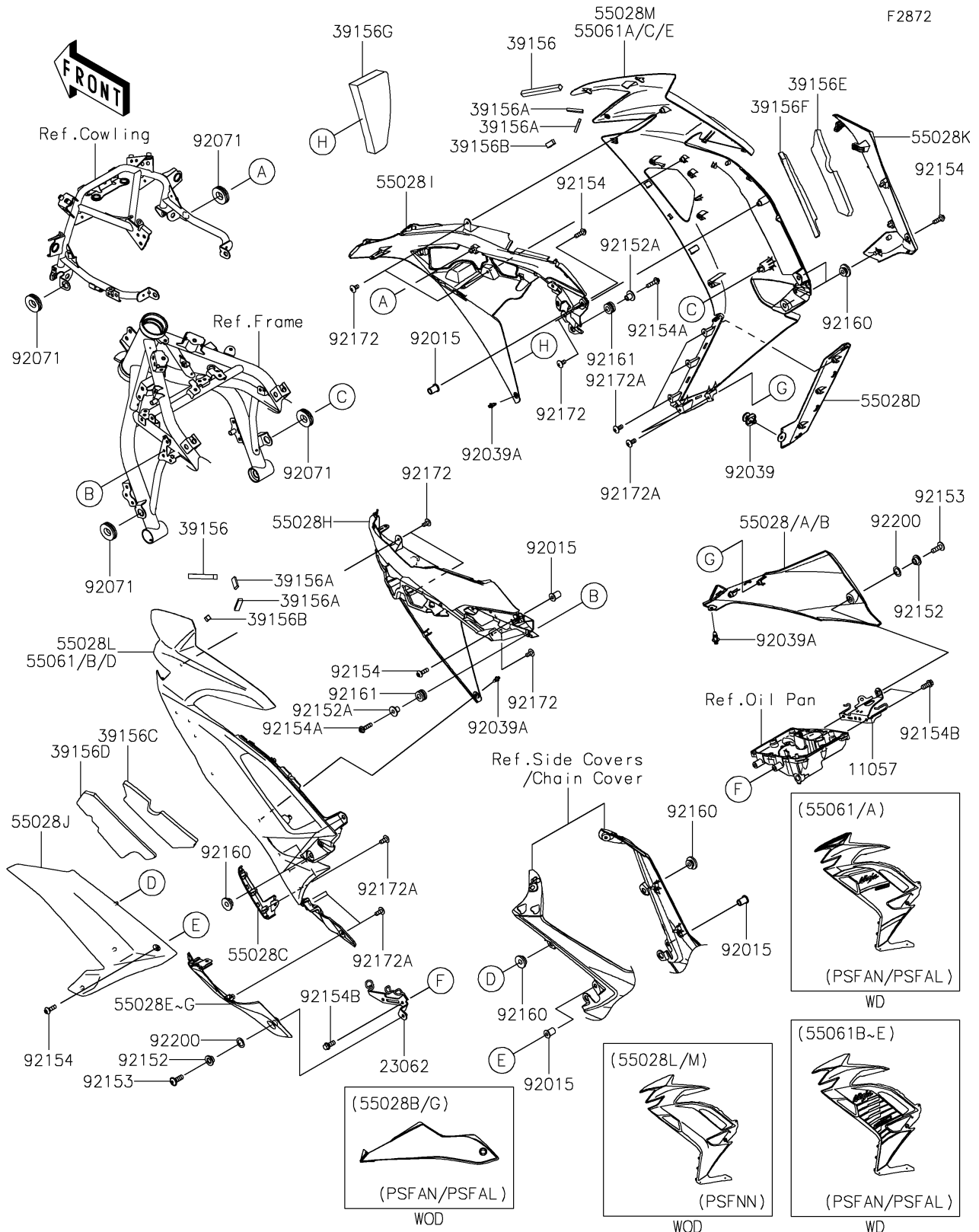


2025 Ninja 650 PARTS DIAGRAM

Cowling Lower



2025 Ninja 650 PARTS LIST

Cowling Lowers

| ITEM NAME | PART NUMBER | QUANTITY |
|---|----------------|----------|
| BRACKET,LWR COWL.,RH (Ref # 11057) | 11057-0133 | 1 |
| BRACKET-COMP,LWR,LH (Ref # 23062) | 23062-1247 | 1 |
| PAD,120X10X10 (Ref # 39156) | 39156-2502 | 2 |
| PAD,37X10X5 (Ref # 39156A) | 39156-2504 | 4 |
| PAD,20X10X8 (Ref # 39156B) | 39156-2581 | 2 |
| PAD,SIDE COWL.,RR,LH,UPP (Ref # 39156C) | 39156-2621 | 1 |
| PAD,SIDE COWL.,RR,LH,LWR (Ref # 39156D) | 39156-2622 | 1 |
| PAD,SIDE COWL.,RR,RH,UPP (Ref # 39156E) | 39156-2623 | 1 |
| PAD,SIDE COWL.,RR,RH,LWR (Ref # 39156F) | 39156-2624 | 1 |
| PAD (Ref # 39156G) | 39156-2814 | 1 |
| COWLING,LWR,RH,M.S.BLACK (Ref # 55028) | 55028-0599-660 | 1 |
| COWLING,LWR,RH,M.F.S.BLACK (Ref # 55028A) | 55028-0599-739 | 1 |
| COWLING,LWR,RH,EBONY (Ref # 55028B) | 55028-0599-H8 | 1 |
| COWLING,LWR,FR,LH (Ref # 55028C) | 55028-0600 | 1 |
| COWLING,LWR,FR,RH (Ref # 55028D) | 55028-0601 | 1 |
| COWLING,LWR,LH,M.S.BLACK (Ref # 55028E) | 55028-0634-660 | 1 |
| COWLING,LWR,LH,M.F.S.BLACK (Ref # 55028F) | 55028-0634-739 | 1 |
| COWLING,LWR,LH,EBONY (Ref # 55028G) | 55028-0634-H8 | 1 |
| COWLING,SIDE,CNT,LH (Ref # 55028H) | 55028-0717 | 1 |
| COWLING,SIDE,CNT,RH (Ref # 55028I) | 55028-0718 | 1 |
| COWLING,SIDE,RR,LH (Ref # 55028J) | 55028-0797 | 1 |
| COWLING,SIDE,RR,RH (Ref # 55028K) | 55028-0798 | 1 |
| COWLING,SIDE,LH,M.S.BLACK (Ref # 55028L) | 55028-0828-660 | 1 |
| COWLING,SIDE,RH,M.S.BLACK (Ref # 55028M) | 55028-0829-660 | 1 |
| COWLING,SIDE,LH,L.GREEN (Ref # 55061) | 55061-5262-777 | 1 |
| COWLING,SIDE,RH,L.GREEN (Ref # 55061A) | 55061-5264-777 | 1 |
| COWLING,SIDE,LH,M.M.D.GREEN (Ref # 55061B) | 55061-5284-63Y | 1 |
| COWLING,SIDE,RH,M.M.D.GREEN (Ref # 55061C) | 55061-5286-63Y | 1 |
| COWLING,SIDE,LH,C.S.F.ORANGE (Ref # 55061D) | 55061-5293-62J | 1 |

2025 Ninja 650 PARTS LIST

Cowling Lowers

| ITEM NAME | PART NUMBER | QUANTITY |
|---|----------------|----------|
| COWLING,SIDE,RH,C.S.F.ORANGE (Ref # 55061E) | 55061-5295-62J | 1 |
| NUT,WELL,5MM (Ref # 92015) | 92015-1757 | 4 |
| RIVET,HOLE 8MM (Ref # 92039) | 92039-0014 | 1 |
| RIVET (Ref # 92039A) | 92039-0709 | 3 |
| GROMMET (Ref # 92071) | 92071-1043 | 4 |
| COLLAR (Ref # 92152) | 92152-1359 | 2 |
| COLLAR (Ref # 92152A) | 92152-1592 | 2 |
| BOLT,6X18 (Ref # 92153) | 92153-0478 | 2 |
| BOLT,SOCKET,5X16 (Ref # 92154) | 92154-0209 | 4 |
| BOLT,SOCKET,5X20 (Ref # 92154A) | 92154-0210 | 2 |
| BOLT,FLANGED,6X14 (Ref # 92154B) | 92154-1426 | 4 |
| DAMPER (Ref # 92160) | 92160-1613 | 6 |
| DAMPER,8X16X8.6 (Ref # 92161) | 92161-0685 | 2 |
| SCREW,TAPPING,5X10 (Ref # 92172) | 92172-0262 | 6 |
| SCREW,5X12 (Ref # 92172A) | 92172-0821 | 11 |
| WASHER,10.4X15.9X0.5 (Ref # 92200) | 92200-0157 | 2 |