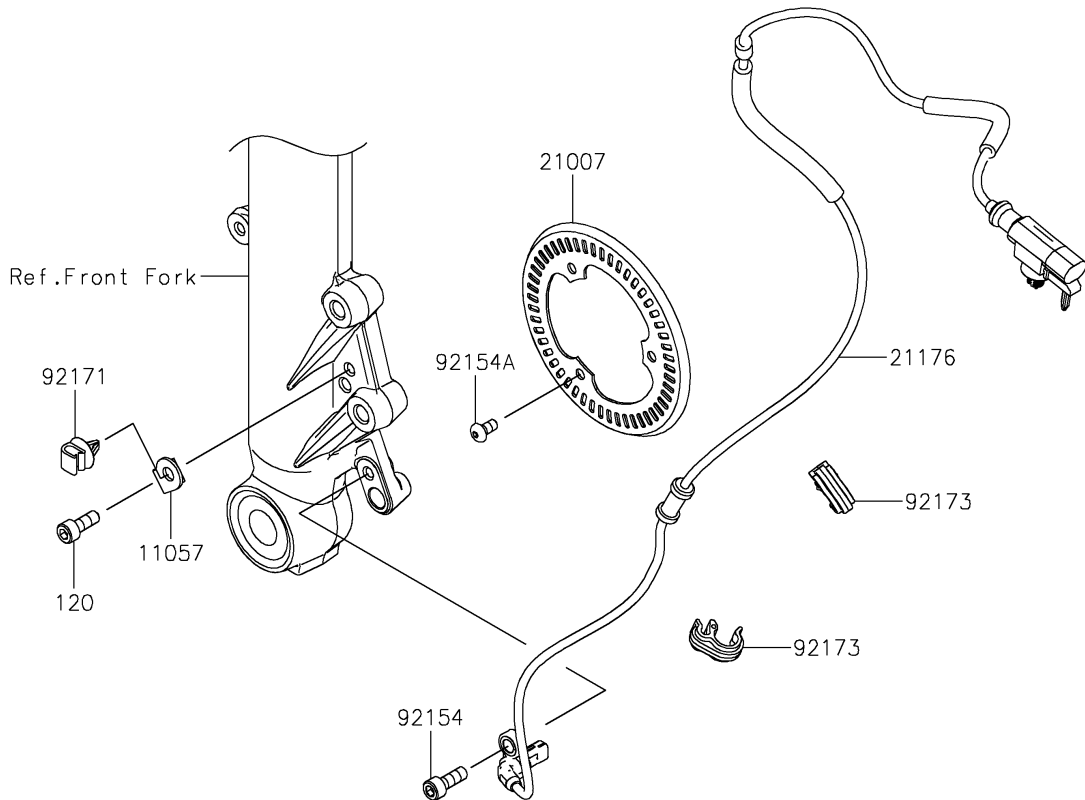
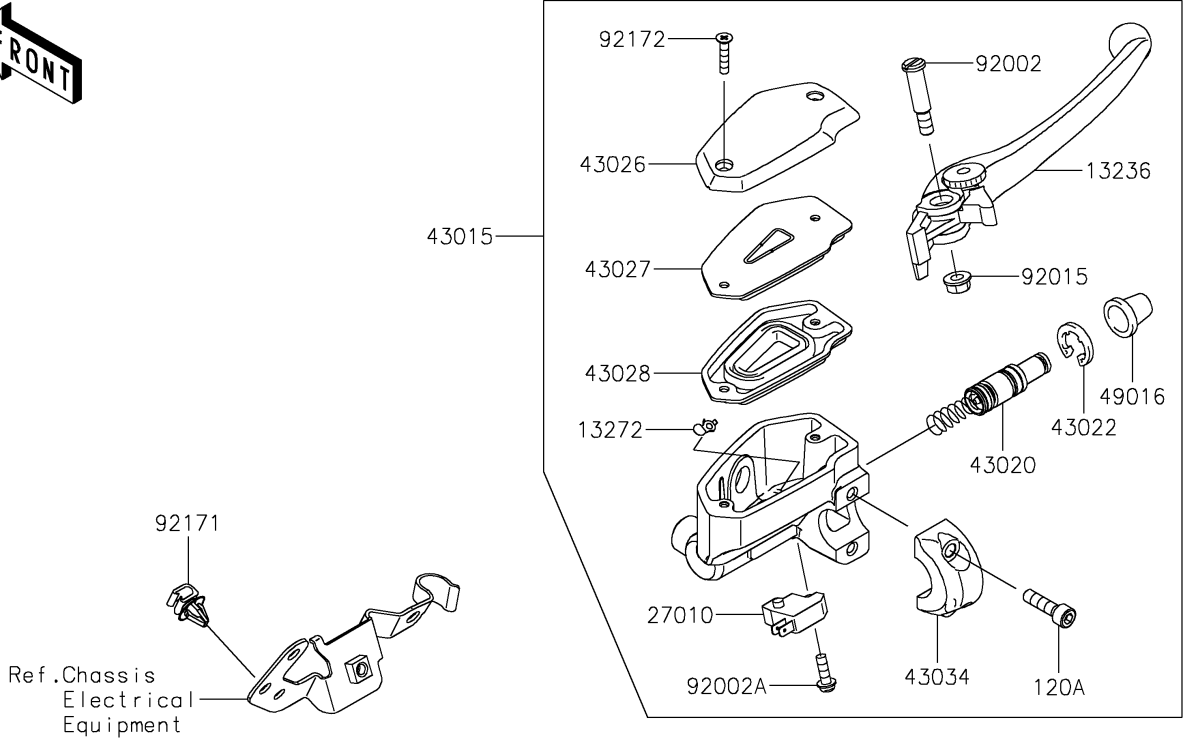


2025 Ninja 650 PARTS DIAGRAM

Front Master Cylinder

F2291



2025 Ninja 650 PARTS LIST

Front Master Cylinder

ITEM NAME	PART NUMBER	QUANTITY
BRACKET,SENSOR CORD (Ref # 11057)	11057-0190	1
LEVER-COMP,FRONT BRAKE (Ref # 13236)	13236-0140	1
PLATE (Ref # 13272)	13272-0573	1
ROTOR,SENSOR,FR (Ref # 21007)	21007-0671	1
SENSOR,SPEED,FR (Ref # 21176)	21176-0920	1
SWITCH,BRAKE (Ref # 27010)	27010-0762	1
CYLINDER-ASSY-MASTER,FR (Ref # 43015)	43015-0647	1
PISTON-COMP-BRAKE (Ref # 43020)	43020-0008	1
STOPPER-BRAKE,PISTON (Ref # 43022)	43022-1010	1
CAP-BRAKE (Ref # 43026)	43026-0019	1
PLATE-DIAPHRAGM (Ref # 43027)	43027-0008	1
DIAPHRAGM (Ref # 43028)	43028-0015	1
HOLDER-BRAKE,MASTER-CYLINDER (Ref # 43034)	43034-0050	1
COVER-SEAL,MASTER CYLINDER (Ref # 49016)	49016-1044	1
BOLT,LEVER SET,BLACK (Ref # 92002)	92002-1322	1
BOLT,SCREW,4X12 (Ref # 92002A)	92002-1323	1
NUT,FLANGED,6MM (Ref # 92015)	92015-1528	1
BOLT,SOCKET,6X16 (Ref # 92154)	92154-0235	1
BOLT,SOCKET,5X10 (Ref # 92154A)	92154-2801	3
CLAMP (Ref # 92171)	92171-0640	2
SCREW,4X20 (Ref # 92172)	92172-0320	2
CLAMP,HOSE&SENSOR LINE (Ref # 92173)	92173-1613	2
BOLT-SOCKET,6X16 (Ref # 120)	120CA0616	1
BOLT-SOCKET,6X22 (Ref # 120A)	120CB0622	2