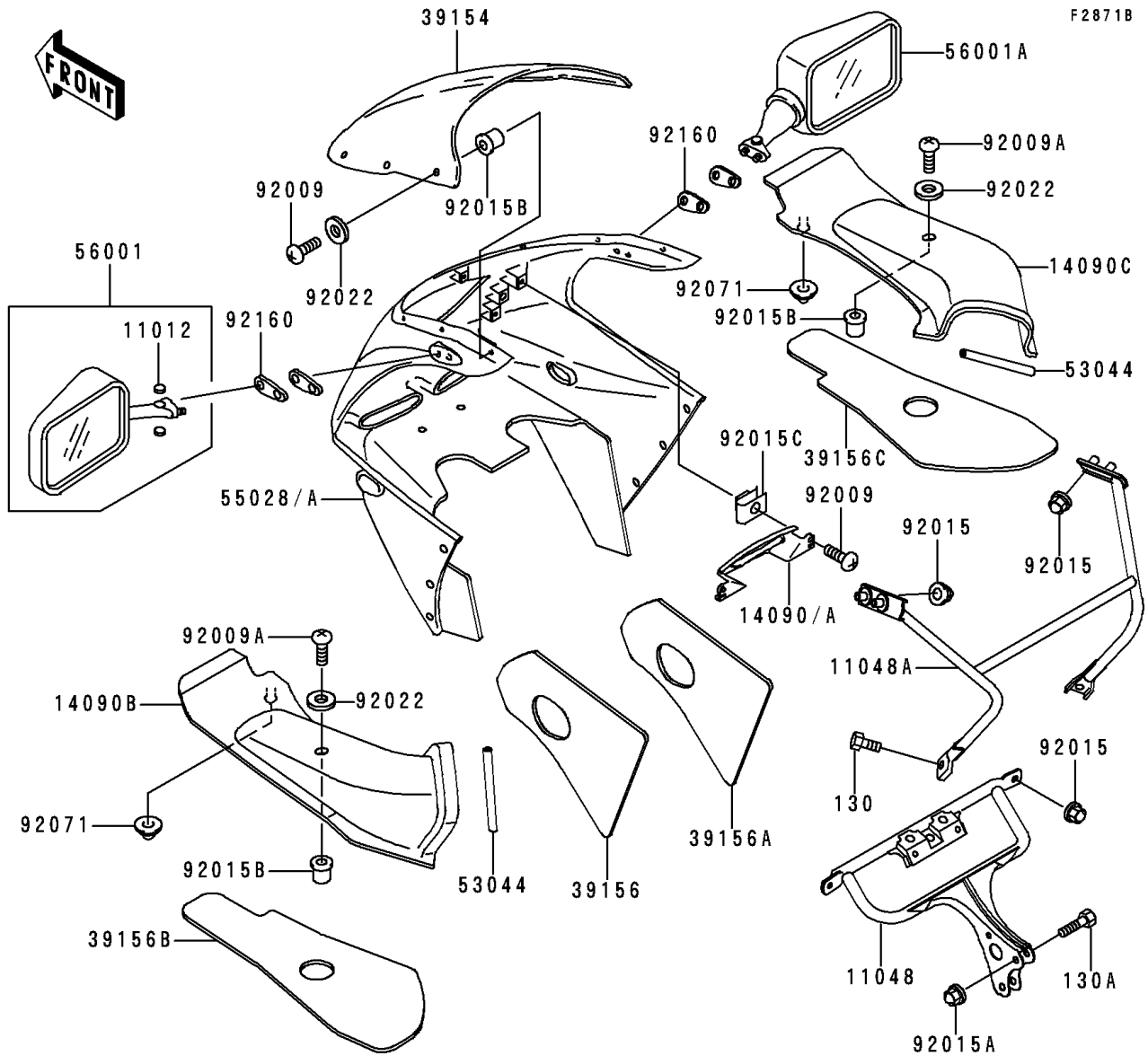
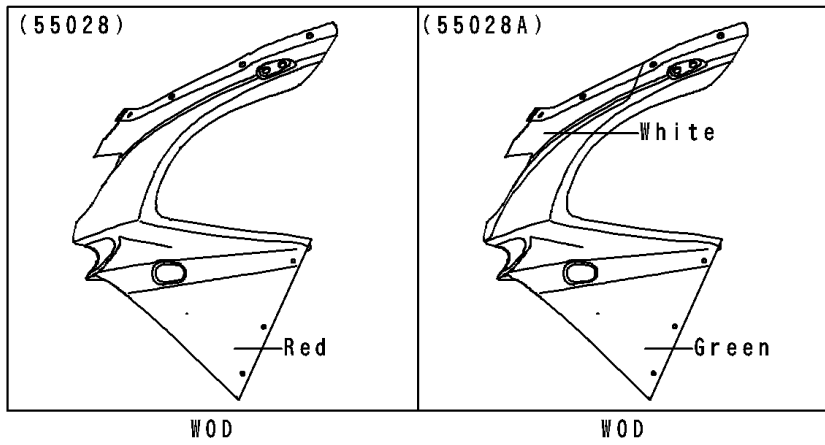


# 1997 Ninja® ZX™-6R PARTS DIAGRAM

Cowling(ZX600-F3)



F2871B



# 1997 Ninja® ZX™ -6R PARTS LIST

Cowling(ZX600-F3)

ITEM NAME	PART NUMBER	QUANTITY
BOLT-FLANGED,6X14,BLACK (Ref # 130)	130J0614	2
BOLT-FLANGED,8X30 (Ref # 130A)	130J0830	2
CAP,MIRROR (Ref # 11012)	11012-1818	4
BRACKET,UPP COWLING (Ref # 11048)	11048-1866	1
BRACKET,MIRROR (Ref # 11048A)	11048-1867	1
COVER,POSITION LAMP,C.P.RED (Ref # 14090)	14090-1404-A5	1
COVER,POSITION LAMP,WHITE (Ref # 14090A)	14090-1404-R1	1
COVER,AIR DUCT,LH (Ref # 14090B)	14090-1542	1
COVER,AIR DUCT,RH (Ref # 14090C)	14090-1543	1
WINDSHIELD (Ref # 39154)	39154-5007	1
PAD,UPP COWLING,LH (Ref # 39156)	39156-1435	1
PAD,UPP COWLING,RH (Ref # 39156A)	39156-1436	1
PAD,AIR DUCT COVER,LH (Ref # 39156B)	39156-1449	1
PAD,AIR DUCT COVER,RH (Ref # 39156C)	39156-1450	1
TRIM,AIR DUCT COVER (Ref # 53044)	53044-1265	2
COWLING,UPP,C.P.RED (Ref # 55028)	55028-1330-A5	1
COWLING,UPP,GREEN/WHITE (Ref # 55028A)	55028-1330-CK	1
MIRROR-ASSY,LH,EBONY (Ref # 56001)	56001-1376-6C	1
MIRROR-ASSY,RH,EBONY (Ref # 56001A)	56001-1377-6C	1
SCREW,5X16 (Ref # 92009)	92009-1654	10
SCREW,5X25 (Ref # 92009A)	92009-1657	2
NUT,CAP,6MM,BLACK (Ref # 92015)	92015-1170	6
NUT,CAP,8MM,BLACK (Ref # 92015A)	92015-1174	2
NUT,WELL,5MM (Ref # 92015B)	92015-1757	10
NUT,5MM (Ref # 92015C)	92015-1798	2
WASHER,NYLON,5.3X11.5X1.5 (Ref # 92022)	92022-1521	10
GROMMET (Ref # 92071)	92071-1222	2
DAMPER,MIRROR (Ref # 92160)	92160-1089	4