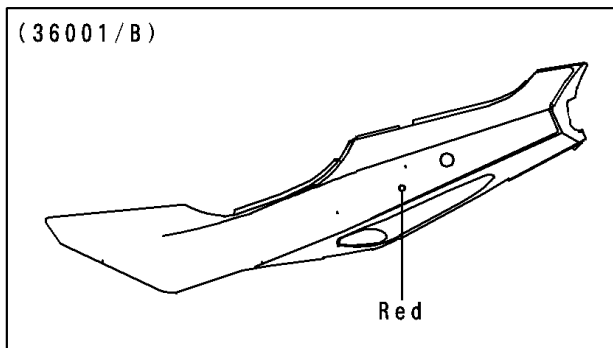
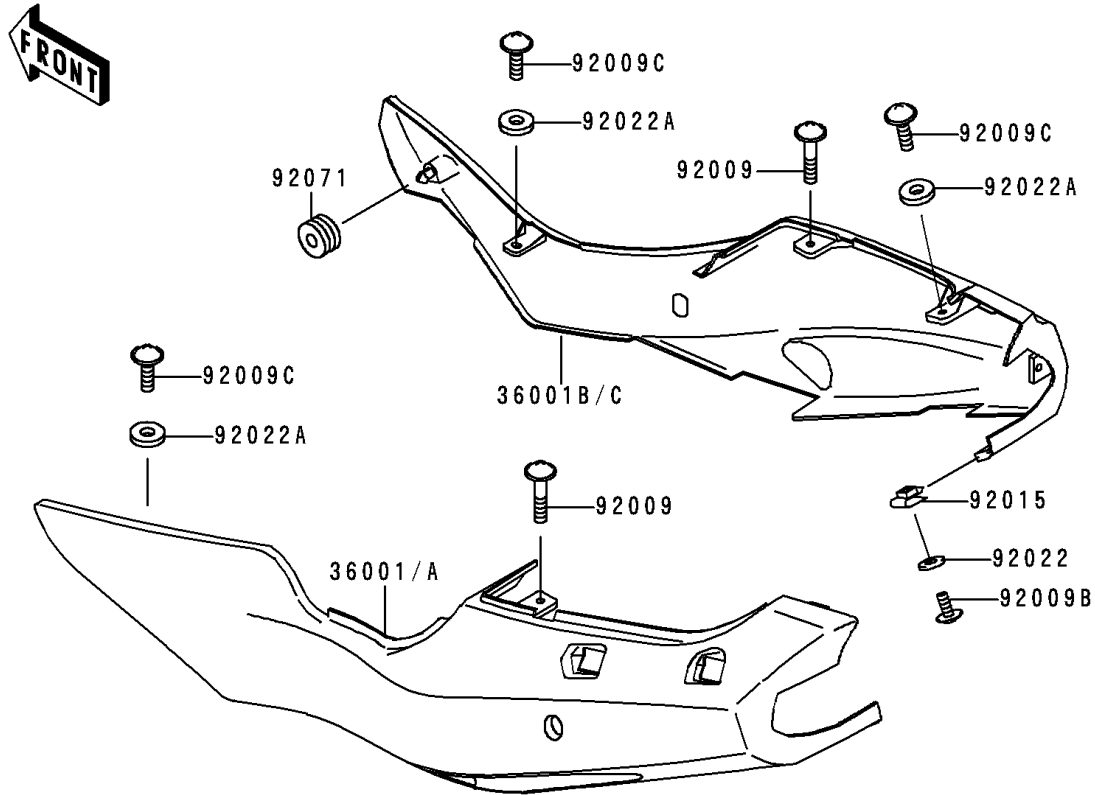


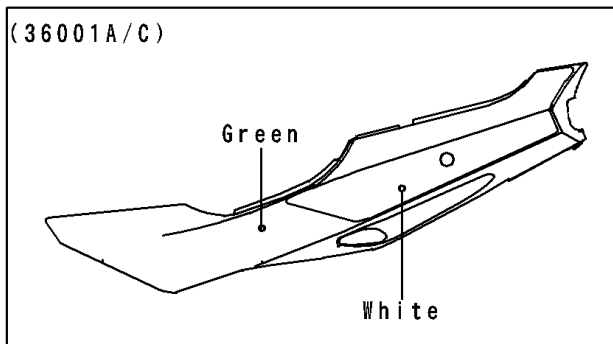
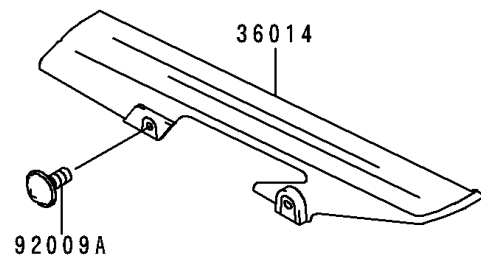
1997 Ninja® ZX™-6R PARTS DIAGRAM

Side Covers/Chain Cover(ZX600-F3)

F2610B



WOD



WOD

1997 Ninja® ZX™ -6R PARTS LIST

Side Covers/Chain Cover(ZX600-F3)

| ITEM NAME | PART NUMBER | QUANTITY |
|--|---------------|----------|
| COVER-SIDE,LH,C.P.RED (Ref # 36001) | 36001-1540-A5 | 1 |
| COVER-SIDE,LH,GREEN/WHITE (Ref # 36001A) | 36001-1540-CK | 1 |
| COVER-SIDE,RH,C.P.RED (Ref # 36001B) | 36001-1541-A5 | 1 |
| COVER-SIDE,RH,GREEN/WHITE (Ref # 36001C) | 36001-1541-CK | 1 |
| CASE-CHAIN (Ref # 36014) | 36014-1196 | 1 |
| SCREW,6X22,BLACK (Ref # 92009) | 92009-1256 | 2 |
| SCREW,6X10 (Ref # 92009A) | 92009-1402 | 2 |
| SCREW,5X16 (Ref # 92009B) | 92009-1654 | 1 |
| SCREW,6X18 (Ref # 92009C) | 92009-1663 | 4 |
| NUT,5MM (Ref # 92015) | 92015-1798 | 1 |
| WASHER,NYLON,5.3X11.5X1.5 (Ref # 92022) | 92022-1521 | 1 |
| WASHER,6.5X16X1.0 (Ref # 92022A) | 92022-1654 | 4 |
| GROMMET (Ref # 92071) | 92071-056 | 2 |