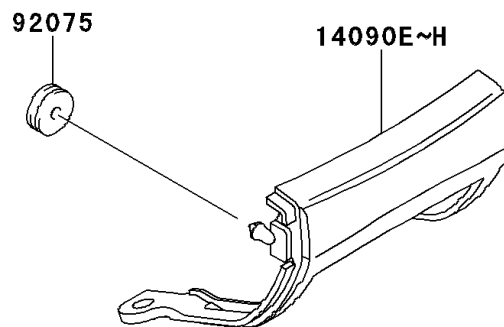
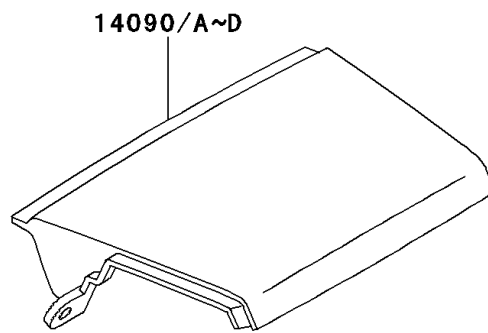
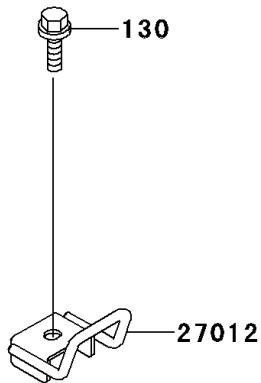
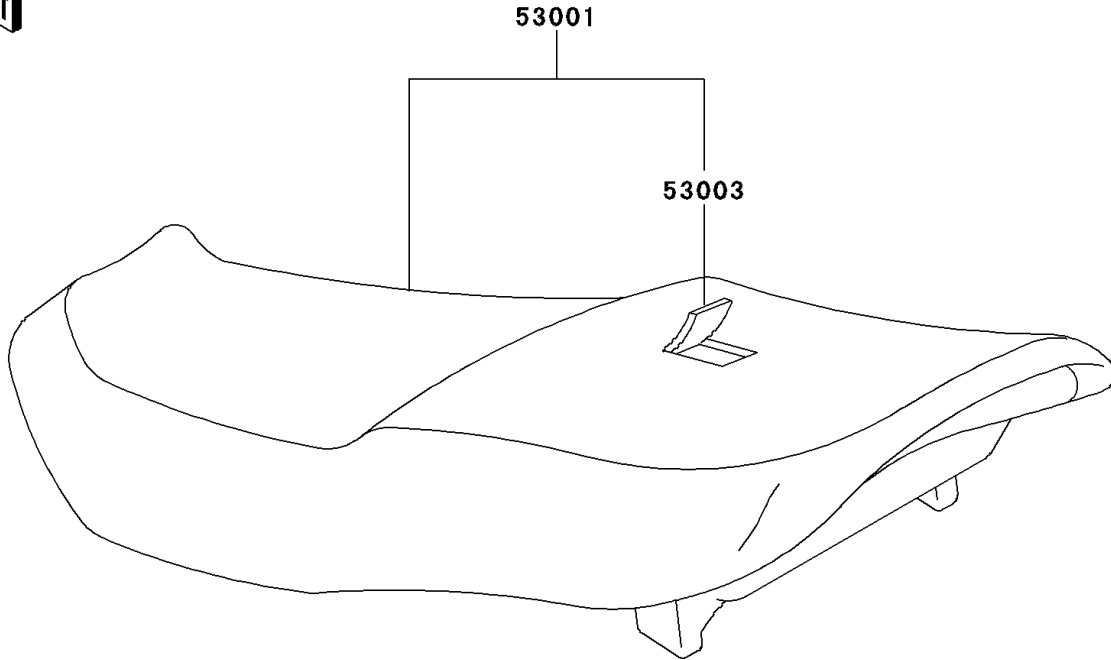


# 2000 Ninja<sup>®</sup> ZX<sup>™</sup>-6 PARTS DIAGRAM

Seat

F2510



## 2000 Ninja® ZX™-6 PARTS LIST

### Seat

ITEM NAME	PART NUMBER	QUANTITY
BOLT-FLANGED (Ref # 130)	130J0612	2
HOOK,SEAT (Ref # 27012)	27012-1468	2
SEAT-ASSY,DUAL,BLACK (Ref # 53001)	53001-1689-MA	1
LEATHER,SEAT,BLACK (Ref # 53003)	53003-1270-MA	1
DAMPER (Ref # 92075)	92075-1629	2
COVER,TAIL,UPP,C.P.RED (Ref # 14090)	14090-1254-A5	1
COVER,TAIL,UPP.C.P.RED (Ref # 14090B)	14090-1254-V9	1
COVER,TAIL,LWR,P.C.GRAY (Ref # 14090G)	14090-1255-JR	1
COVER,TAIL,LWR.P.C.GRAY (Ref # 14090H)	14090-1255-T2	1