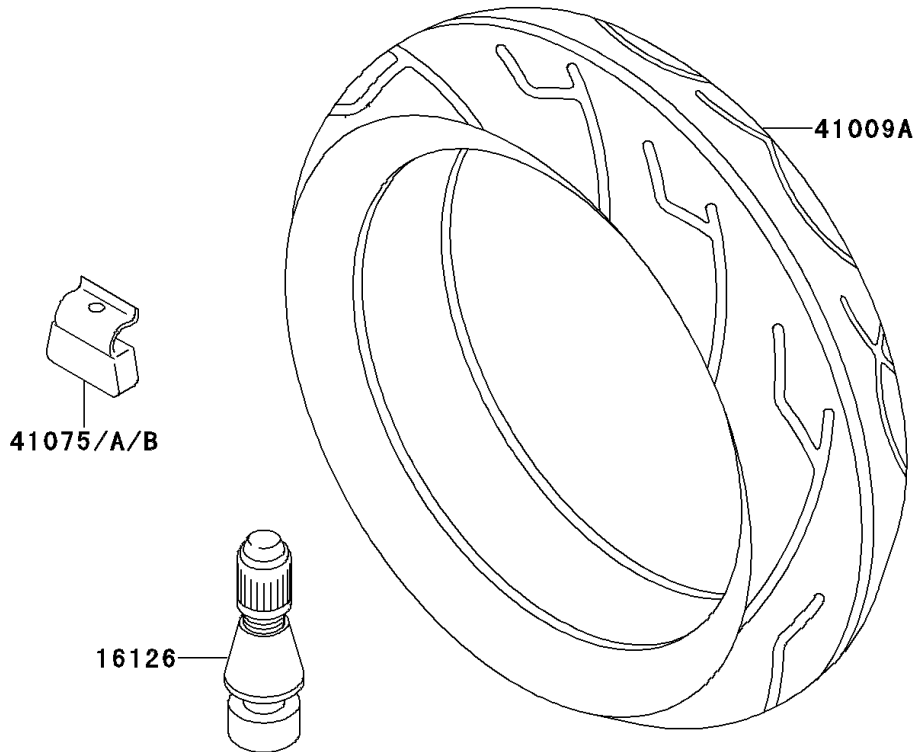
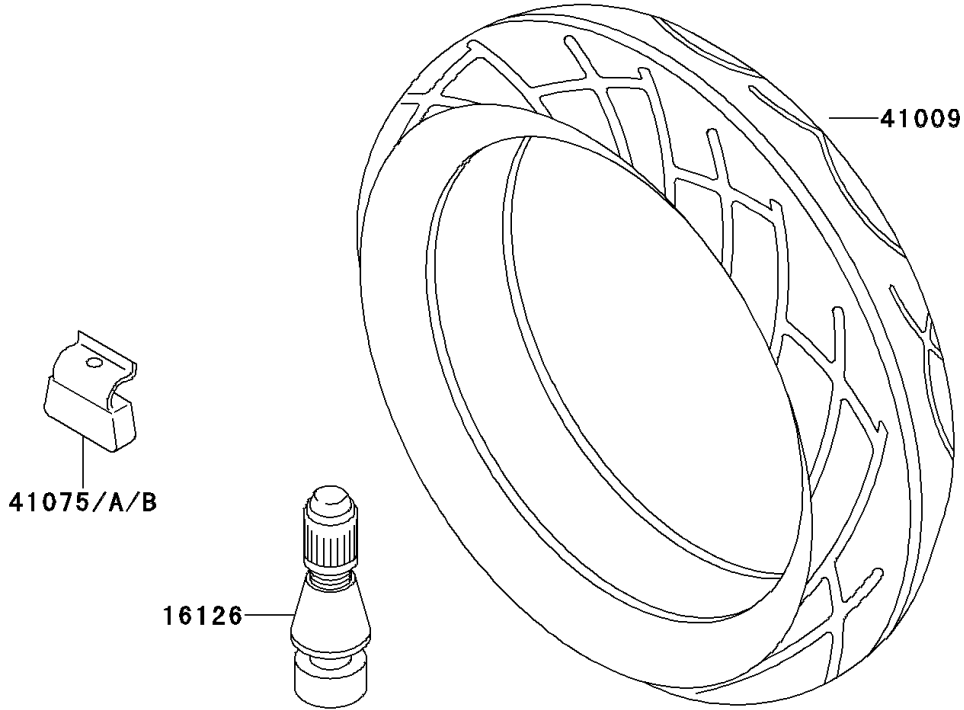


1999 Ninja® ZX™-6 PARTS DIAGRAM

Tires

F2210



1999 Ninja® ZX™-6 PARTS LIST

Tires

| ITEM NAME | PART NUMBER | QUANTITY |
|---|-------------|----------|
| VALVE,TIRE (Ref # 16126) | 16126-1140 | 2 |
| TIRE,FR,120/60ZR17(55W),BT-50F (Ref # 41009) | 41009-1328 | 1 |
| TIRE,RR,160/60ZR17(69W),BT-50R (Ref # 41009A) | 41009-1329 | 1 |
| BALANCER-WHEEL,10G,SILVER (Ref # 41075) | 41075-1056 | AR |
| BALANCER-WHEEL,20G,SILVER (Ref # 41075A) | 41075-1057 | AR |
| BALANCER-WHEEL,30G,SILVER (Ref # 41075B) | 41075-1058 | AR |