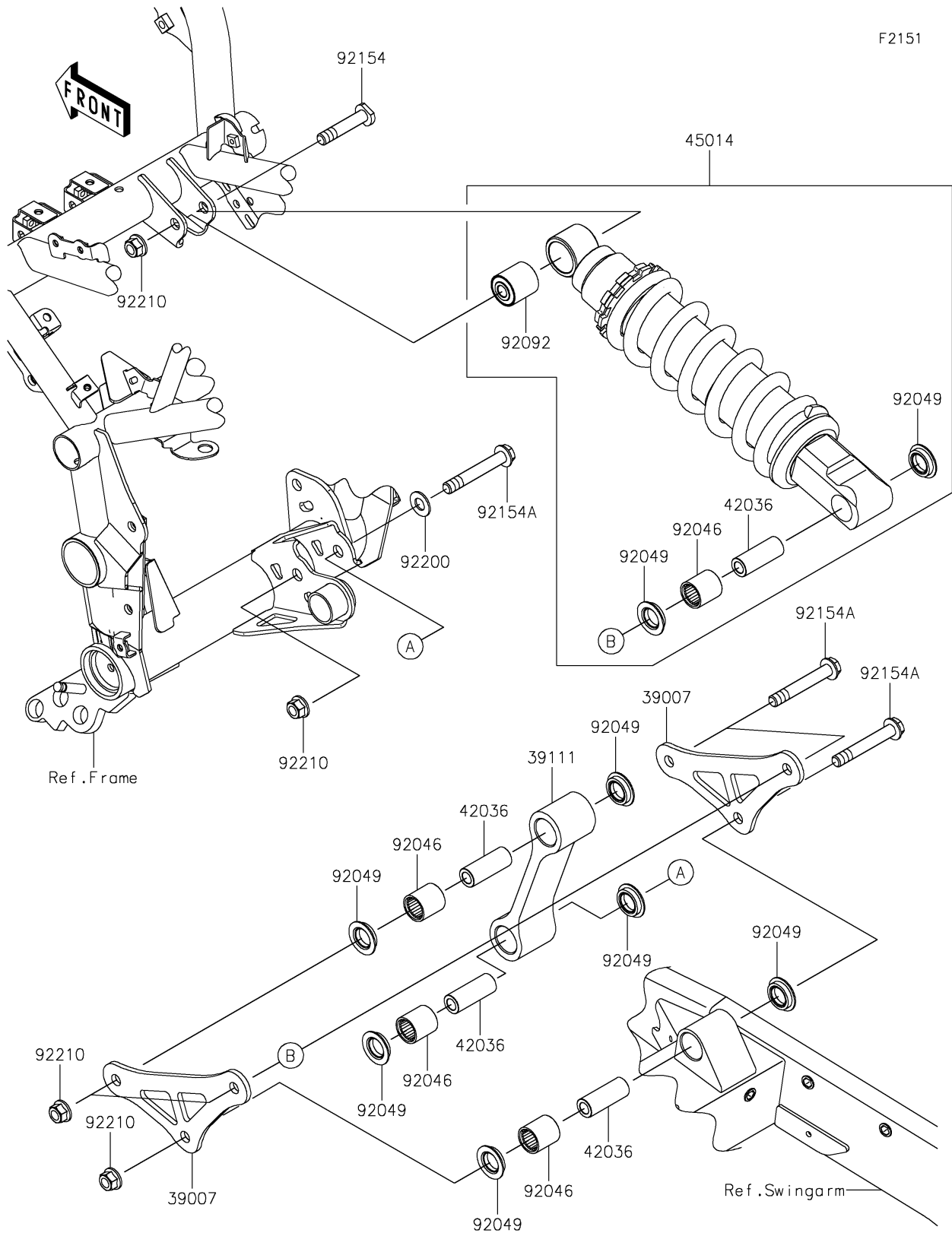


2025 Z900 ABS

PARTS DIAGRAM

Suspension/Shock Absorber

F2151



2025 Z900 ABS

PARTS LIST

Suspension/Shock Absorber

ITEM NAME	PART NUMBER	QUANTITY
ARM-SUSP (Ref # 39007)	39007-0403	2
ROD-TIE (Ref # 39111)	39111-0370	1
SLEEVE,10.1X17X44.5 (Ref # 42036)	42036-1342	4
SHOCKABSORBER,F.BLACK+BLK (Ref # 45014)	45014-0834-37P	1
BEARING-NEEDLE,SFYZM172425 (Ref # 92046)	92046-1273	4
SEAL-OIL,MHA17245.7F (Ref # 92049)	92049-1223	8
BUSHING-RUBBER (Ref # 92092)	92092-1058	1
BOLT,10X50 (Ref # 92154)	92154-2165	1
BOLT,FLANGED,10X66 (Ref # 92154A)	92154-2204	4
WASHER,11X22X1.6 (Ref # 92200)	92200-1836	1
NUT,LOCK,FLANGED,10MM (Ref # 92210)	92210-1139	5