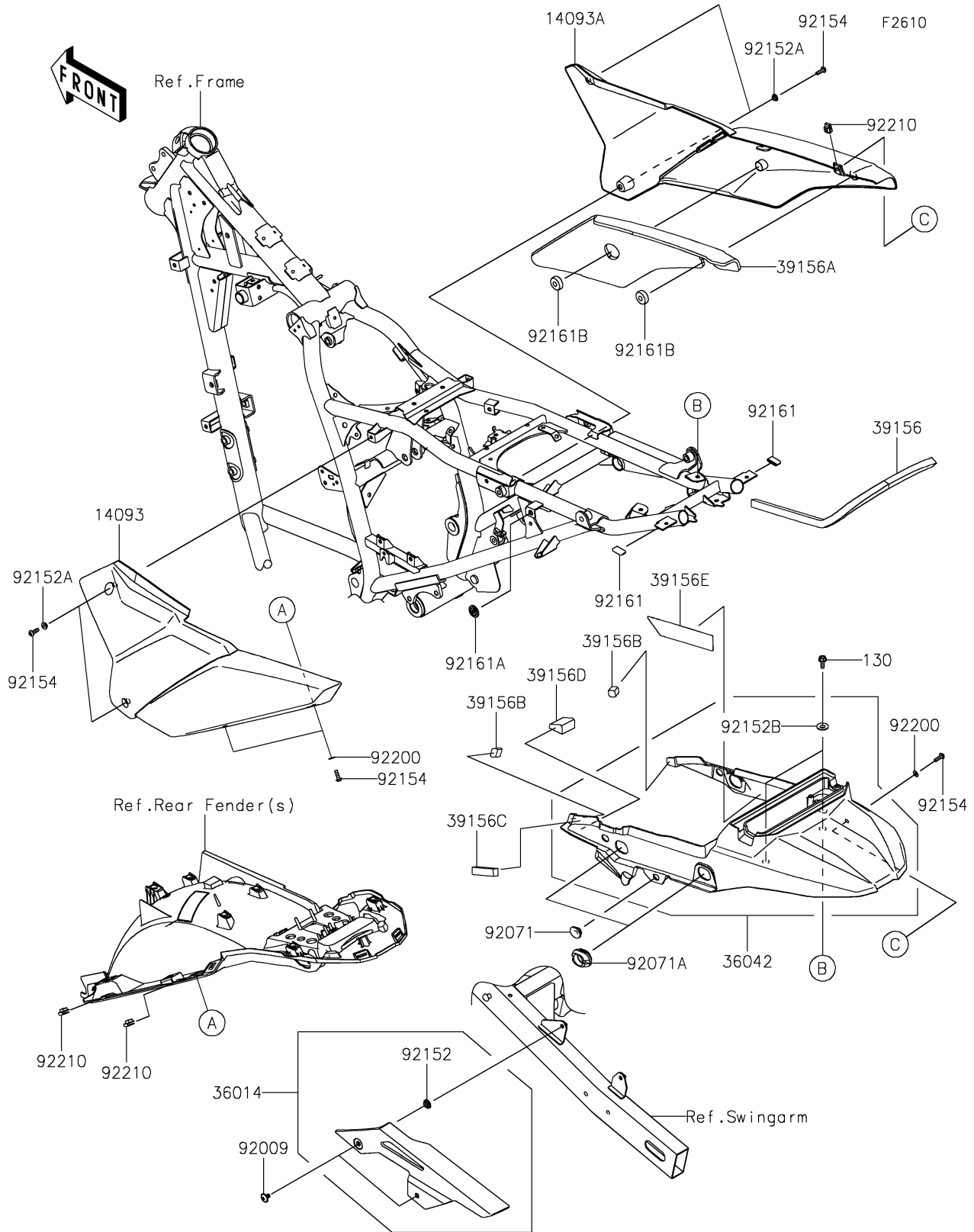


2023 KLR® 650 ADVENTURE PARTS DIAGRAM

Side Covers/Chain Cover



2023 KLR® 650 ADVENTURE PARTS LIST

Side Covers/Chain Cover

ITEM NAME	PART NUMBER	QUANTITY
COVER,SIDE,LH,BLACK (Ref # 14093)	14093-1275-6Z	1
COVER,SIDE,RH,BLACK (Ref # 14093A)	14093-1276-6Z	1
CASE-CHAIN (Ref # 36014)	36014-0044	1
COVER-TAIL,BLACK (Ref # 36042)	36042-0015-6Z	1
PAD,10X13X440 (Ref # 39156)	39156-2663	1
PAD,SIDE COVER,RH (Ref # 39156A)	39156-2682	1
PAD (Ref # 39156B)	39156-2750	2
PAD,10X13X62 (Ref # 39156C)	39156-2763	1
PAD (Ref # 39156D)	39156-2764	1
PAD,TAIL COVER (Ref # 39156E)	39156-2780	1
SCREW,6X10 (Ref # 92009)	92009-1729	2
GROMMET,20X24X7.5 (Ref # 92071)	92071-0766	1
GROMMET,26.4X42.4X15.8 (Ref # 92071A)	92071-0772	4
COLLAR,8.8X11.2X4 (Ref # 92152)	92152-0909	2
COLLAR (Ref # 92152A)	92152-2903	4
COLLAR (Ref # 92152B)	92152-2907	2
BOLT,SOCKET,5X16 (Ref # 92154)	92154-0182	7
DAMPER,12X23 (Ref # 92161)	92161-1367	2
DAMPER,8X22X10 (Ref # 92161A)	92161-1685	1
DAMPER (Ref # 92161B)	92161-2090	2
WASHER,NYLONE,5.3X11.5X0.5 (Ref # 92200)	92200-0006	3
NUT,PLATE,5MM (Ref # 92210)	92210-0935	3
BOLT-FLANGED,6X16 (Ref # 130)	130BA0616	2