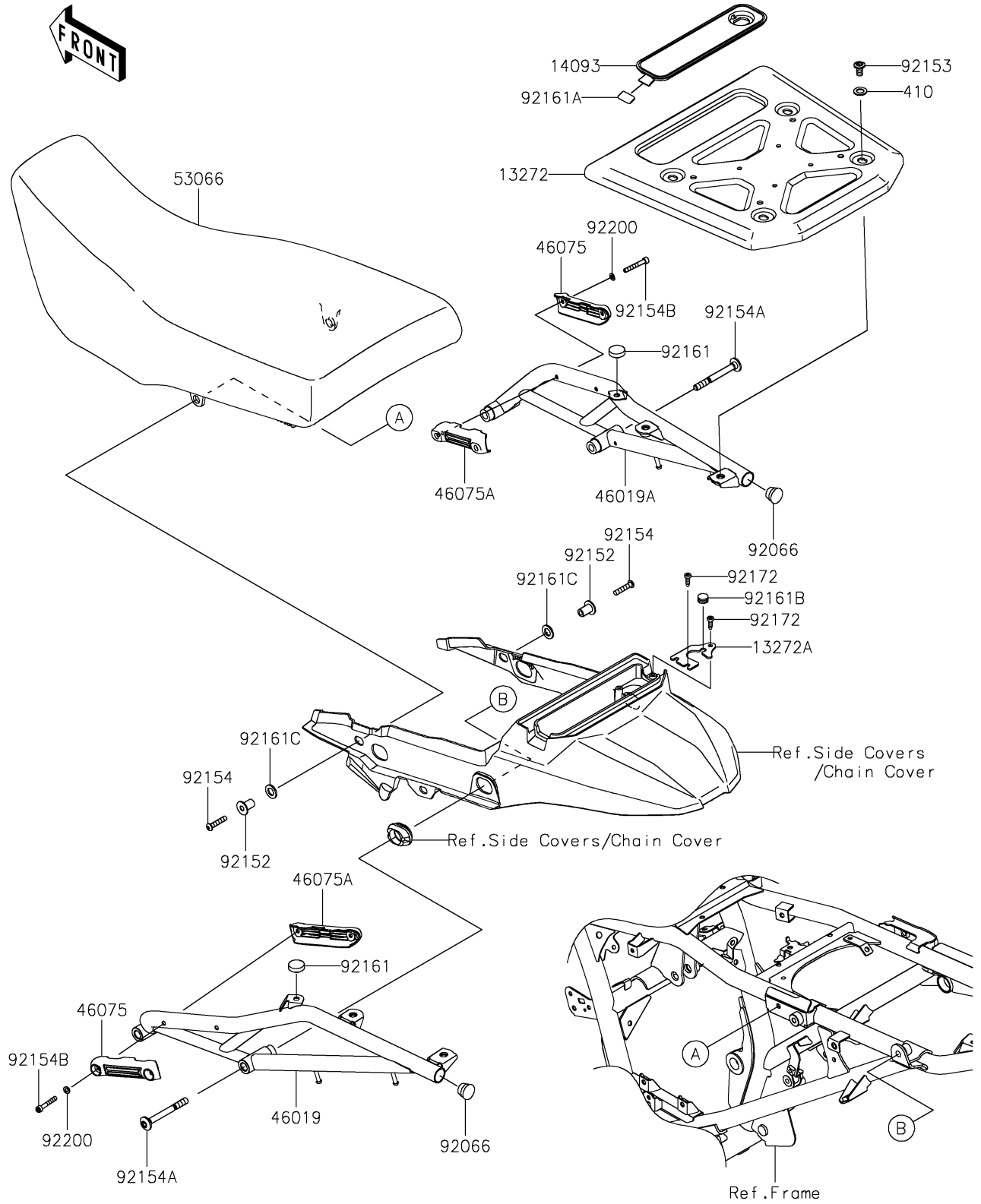


2024 KLR® 650 ADVENTURE ABS PARTS DIAGRAM

Seat

F2510



2024 KLR® 650 ADVENTURE ABS PARTS LIST

Seat

| ITEM NAME | PART NUMBER | QUANTITY |
|----------------------------------------|----------------|----------|
| PLATE,CARRIER (Ref # 13272) | 13272-3763 | 1 |
| PLATE (Ref # 13272A) | 13272-3872 | 1 |
| COVER,TOOL (Ref # 14093) | 14093-1079 | 1 |
| GRIP-ASSY,LH (Ref # 46019) | 46019-0107 | 1 |
| GRIP-ASSY,RH (Ref # 46019A) | 46019-0108 | 1 |
| GRIP,OUTSIDE (Ref # 46075) | 46075-0659 | 2 |
| GRIP,INSIDE (Ref # 46075A) | 46075-0660 | 2 |
| SEAT-ASSY,DUAL,BLACK+SIL (Ref # 53066) | 53066-0703-64U | 1 |
| PLUG (Ref # 92066) | 92066-1220 | 2 |
| COLLAR (Ref # 92152) | 92152-2823 | 2 |
| BOLT,SOCKET,8X15 (Ref # 92153) | 92153-1810 | 4 |
| BOLT,SOCKET,6X30 (Ref # 92154) | 92154-0206 | 2 |
| BOLT,SOCKET,8X78 (Ref # 92154A) | 92154-4346 | 4 |
| BOLT,SOCKET,5X35 (Ref # 92154B) | 92154-4350 | 4 |
| DAMPER (Ref # 92161) | 92161-0336 | 2 |
| DAMPER,12X23 (Ref # 92161A) | 92161-1367 | 1 |
| DAMPER,8X14X8.9 (Ref # 92161B) | 92161-1666 | 1 |
| DAMPER (Ref # 92161C) | 92161-2425 | 2 |
| SCREW,TAPPING,5X16 (Ref # 92172) | 92172-1425 | 3 |
| WASHER,5.5X10X1.2 (Ref # 92200) | 92200-2495 | 4 |
| WASHER-PLAIN-SMALL,10MM (Ref # 410) | 410AA1000 | 4 |