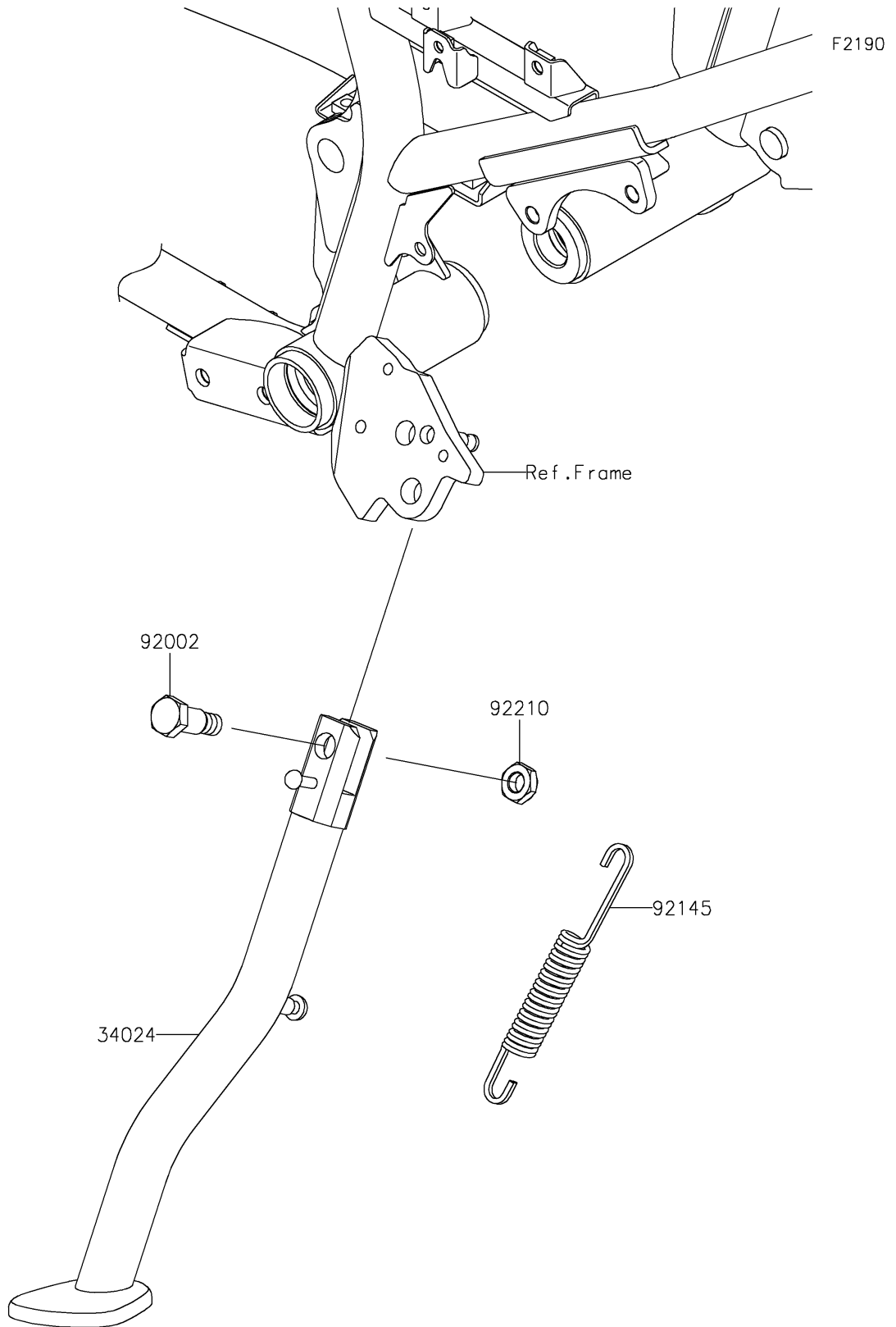


2023 KLR® 650 ADVENTURE PARTS DIAGRAM

Stand(s)



2023 KLR® 650 ADVENTURE PARTS LIST

Stand(s)

ITEM NAME	PART NUMBER	QUANTITY
STAND-SIDE,F.S.BLACK (Ref # 34024)	34024-0171-18R	1
BOLT,SIDE STAND (Ref # 92002)	92002-1813	1
SPRING,SIDE STAND (Ref # 92145)	92145-0085	1
NUT,LOCK,10MM (Ref # 92210)	92210-1184	1