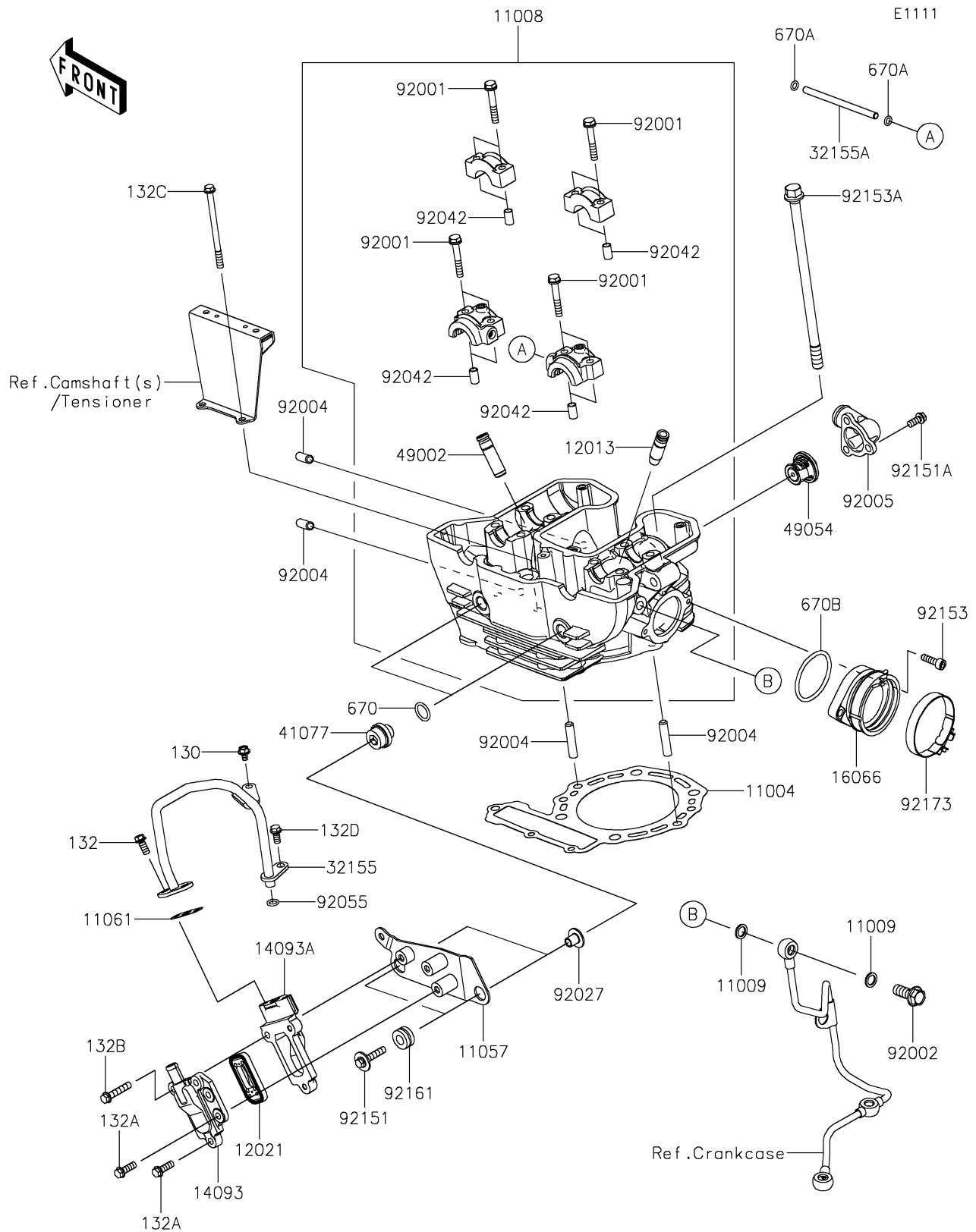


2025 KLR650 Adventure ABS PARTS DIAGRAM

Cylinder Head



2025 KLR650 Adventure ABS PARTS LIST

Cylinder Head

| ITEM NAME | PART NUMBER | QUANTITY |
|---|-------------|----------|
| GASKET-HEAD (Ref # 11004) | 11004-1158 | 1 |
| HEAD-COMP-CYLINDER (Ref # 11008) | 11008-1451 | 1 |
| GASKET,10X14.5X1.5 (Ref # 11009) | 11009-1105 | 2 |
| BRACKET,REED VALVE COVER (Ref # 11057) | 11057-7187 | 1 |
| GASKET,REED VALVE COVER (Ref # 11061) | 11061-1396 | 1 |
| GUIDE-VALVE,INTAKE (Ref # 12013) | 12013-009 | 2 |
| VALVE-ASSY-REED (Ref # 12021) | 12021-0017 | 1 |
| COVER,REED VALVE,FR (Ref # 14093) | 14093-1081 | 1 |
| COVER,REED VALVE,RR (Ref # 14093A) | 14093-1123 | 1 |
| HOLDER-THROTTLE BODY (Ref # 16066) | 16066-0023 | 1 |
| PIPE,2ND AIR (Ref # 32155) | 32155-4382 | 1 |
| PIPE,OIL LINE (Ref # 32155A) | 32155-4449 | 1 |
| ADAPTER (Ref # 41077) | 41077-0751 | 2 |
| GUIDE-VALVE,EXHAUST (Ref # 49002) | 49002-1002 | 2 |
| THERMOSTAT (Ref # 49054) | 49054-1053 | 1 |
| BOLT,FLANGED,6X38 (Ref # 92001) | 92001-1105 | 8 |
| BOLT,BANJO,10X25 (Ref # 92002) | 92002-1170 | 1 |
| STUD,8X22 (Ref # 92004) | 92004-1217 | 4 |
| FITTING (Ref # 92005) | 92005-0715 | 1 |
| COLLAR,FLANGED,L=12.1,BLACK (Ref # 92027) | 92027-1651 | 2 |
| PIN,DOWEL,6.3X8X14 (Ref # 92042) | 92042-007 | 8 |
| RING-O,10MM (Ref # 92055) | 92055-1149 | 1 |
| BOLT,FLANGED,6X30 (Ref # 92151) | 92151-1105 | 2 |
| BOLT,6X14 (Ref # 92151A) | 92151-1810 | 3 |
| BOLT,SOCKET,6X20 (Ref # 92153) | 92153-1364 | 2 |
| BOLT,FLANGED,10X191 (Ref # 92153A) | 92153-1797 | 4 |
| DAMPER (Ref # 92161) | 92161-2424 | 2 |
| CLAMP,62MM (Ref # 92173) | 92173-0922 | 1 |
| BOLT-FLANGED,5X8 (Ref # 130) | 130BD0508 | 1 |

2025 KLR650 Adventure ABS PARTS LIST

Cylinder Head

| ITEM NAME | PART NUMBER | QUANTITY |
|--------------------------------------|-------------|----------|
| BOLT-FLANGED-SMALL,6X14 (Ref # 132) | 132BA0614 | 2 |
| BOLT-FLANGED-SMALL,6X18 (Ref # 132A) | 132BA0618 | 4 |
| BOLT-FLANGED-SMALL,6X30 (Ref # 132B) | 132BA0630 | 1 |
| BOLT-FLANGED-SMALL,6X85 (Ref # 132C) | 132BA0685 | 2 |
| BOLT-FLANGED-SMALL,6X12 (Ref # 132D) | 132BD0612 | 1 |
| O RING,15MM (Ref # 670) | 670B2015 | 2 |
| O RING,6MM (Ref # 670A) | 670D1506 | 2 |
| O RING,48MM (Ref # 670B) | 670D3048 | 1 |