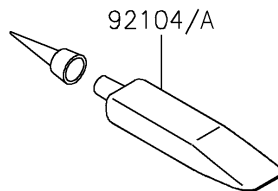
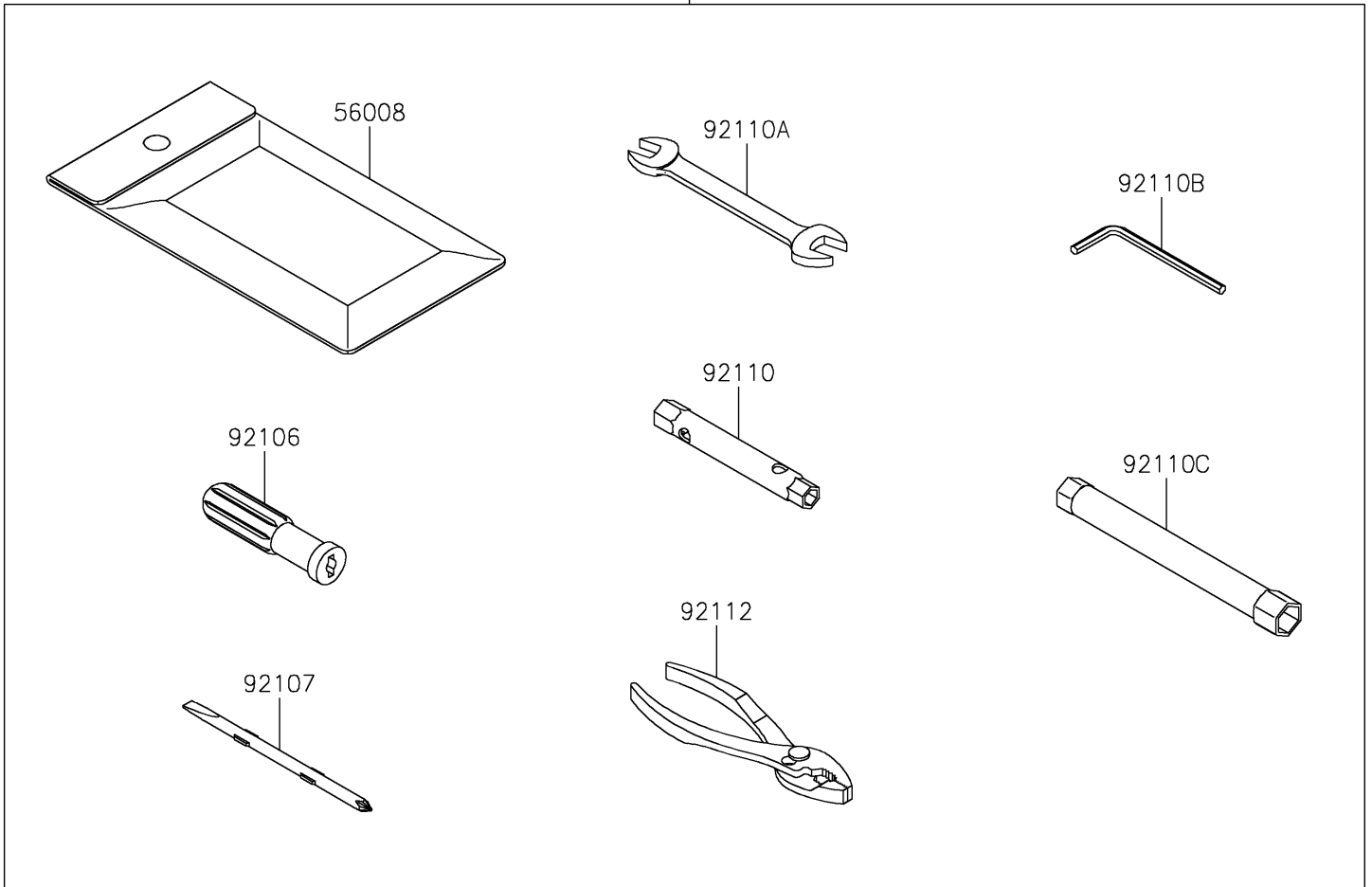


2023 KLR® 650 S PARTS DIAGRAM

Owner's Tools

F2810

56007



2023 KLR® 650 S PARTS LIST

Owner's Tools

ITEM NAME	PART NUMBER	QUANTITY
-----------	-------------	----------