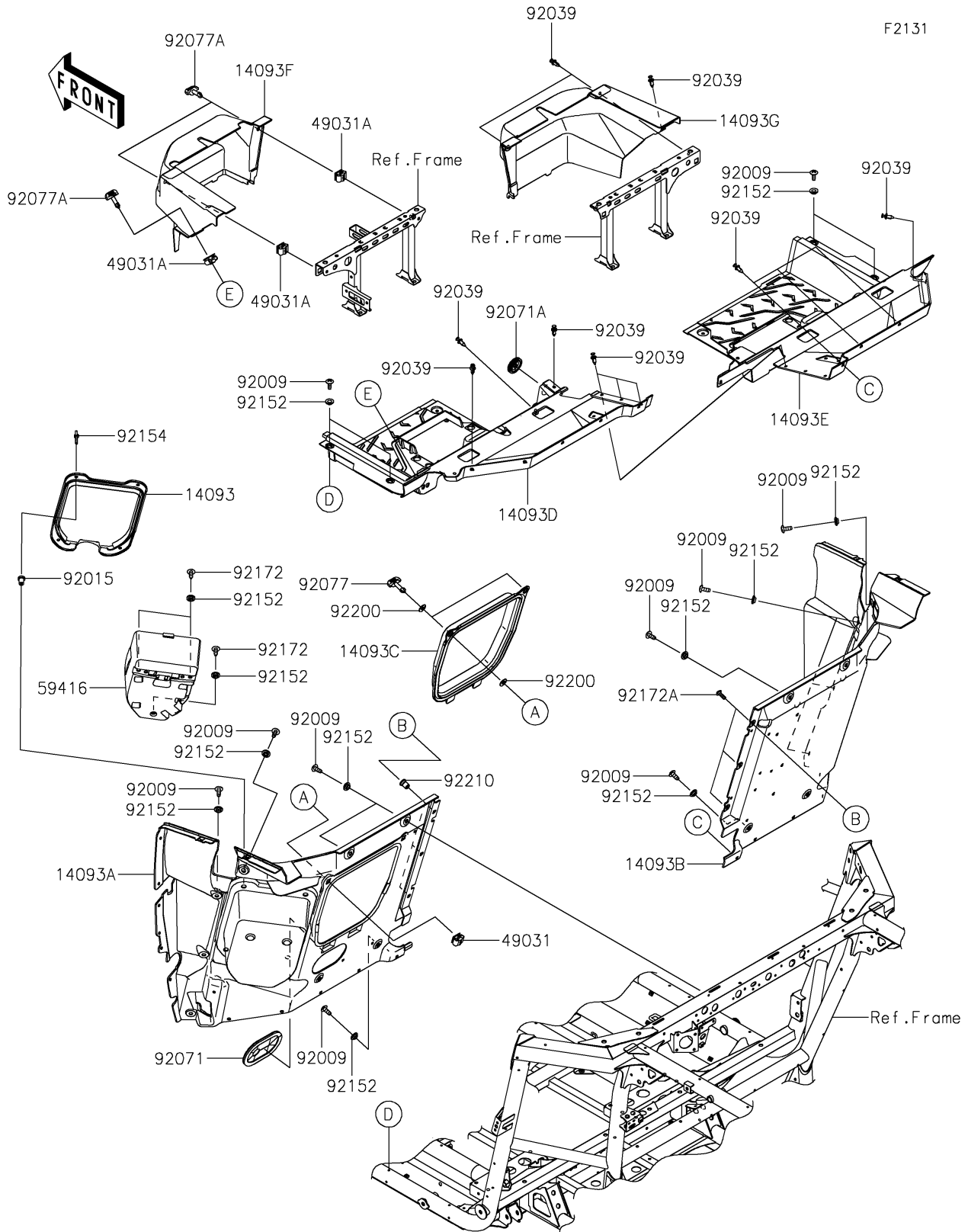


# 2025 TERYX® KRX4™ 1000 LIFTED EDITION PARTS DIAGRAM

## Frame Fittings(Rear)



## 2025 TERYX® KRX4™ 1000 LIFTED EDITION PARTS LIST

### Frame Fittings(Rear)

| ITEM NAME                               | PART NUMBER | QUANTITY |
|---|-------------|----------|
| COVER,ELECTRIC-CASE (Ref # 14093)       | 14093-0821  | 1        |
| COVER,SEAT-BACK-PANEL,LH (Ref # 14093A) | 14093-0840  | 1        |
| COVER,SEAT-BACK-PANEL,RH (Ref # 14093B) | 14093-0841  | 1        |
| COVER,A/C-BOX (Ref # 14093C)            | 14093-0843  | 1        |
| COVER,RR,FLOOR,LH (Ref # 14093D)        | 14093-1231  | 1        |
| COVER,RR,FLOOR,RH (Ref # 14093E)        | 14093-1232  | 1        |
| COVER,BATTERY (Ref # 14093F)            | 14093-1239  | 1        |
| COVER,SEAT FRAME (Ref # 14093G)         | 14093-1240  | 1        |
| LATCH,A/C-BOX (Ref # 49031)             | 49031-0022  | 2        |
| LATCH (Ref # 49031A)                    | 49031-0030  | 3        |
| CASE-ELECTRIC (Ref # 59416)             | 59416-0028  | 1        |
| SCREW,TAPPING,6X16 (Ref # 92009)        | 92009-1166  | 20       |
| NUT,RUBBER,6MM (Ref # 92015)            | 92015-1692  | 4        |
| RIVET (Ref # 92039)                     | 92039-0776  | 18       |
| GROMMET (Ref # 92071)                   | 92071-0789  | 1        |
| GROMMET (Ref # 92071A)                  | 92071-0791  | 1        |
| KNOB (Ref # 92077)                      | 92077-0030  | 2        |
| KNOB (Ref # 92077A)                     | 92077-0040  | 3        |
| COLLAR,6.3X9.5X4.1 (Ref # 92152)        | 92152-1571  | 23       |
| BOLT,WING,6X25 (Ref # 92154)            | 92154-4116  | 4        |
| SCREW,6X16 (Ref # 92172)                | 92172-0284  | 3        |
| SCREW,5MM (Ref # 92172A)                | 92172-0292  | 3        |
| WASHER (Ref # 92200)                    | 92200-0503  | 4        |
| NUT,WELL,5MM (Ref # 92210)              | 92210-0370  | 3        |