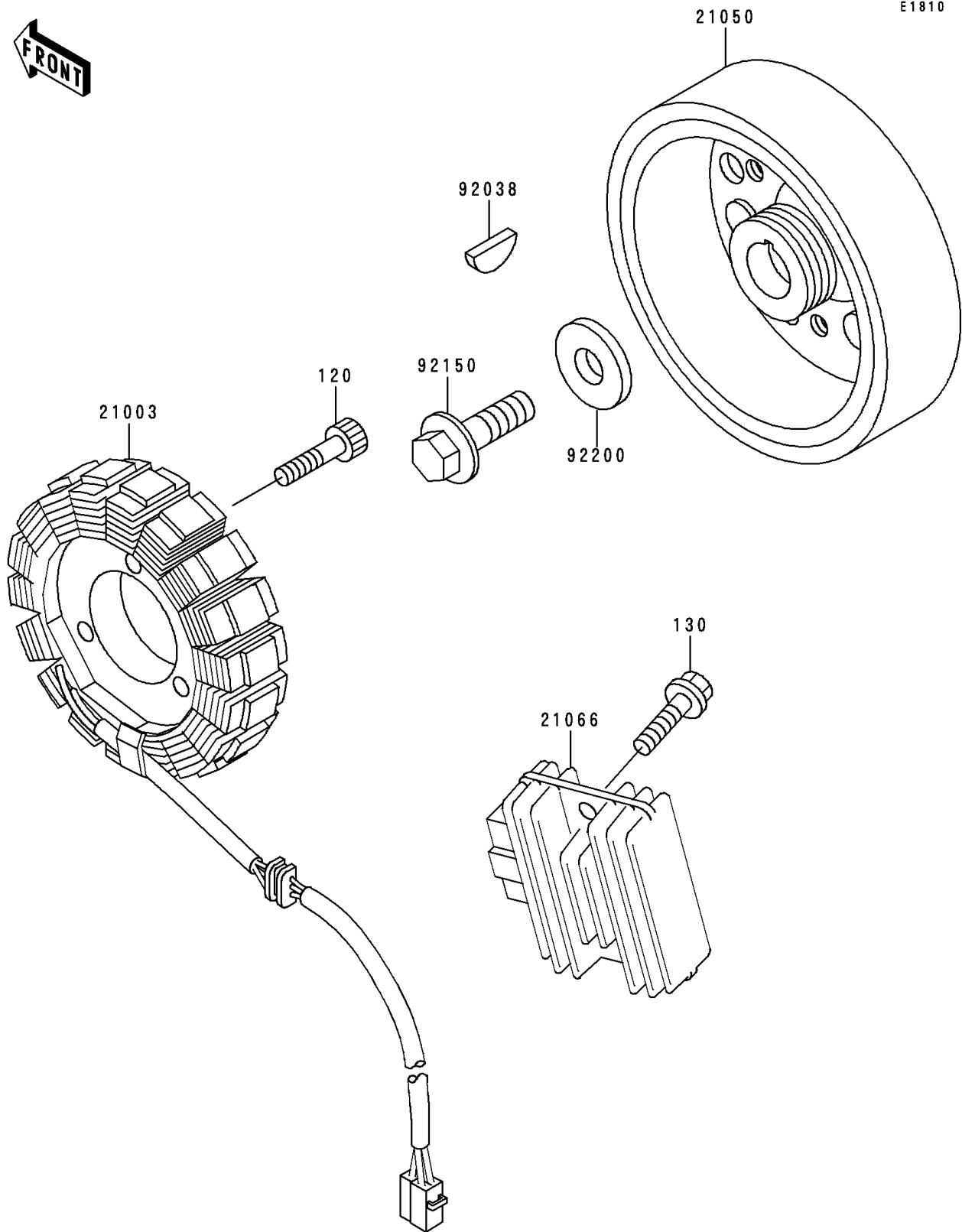


1994 Ninja® ZX™ -6 PARTS DIAGRAM

Generator



1994 Ninja® ZX™-6 PARTS LIST

Generator

ITEM NAME	PART NUMBER	QUANTITY
BOLT-SOCKET,6X25 (Ref # 120)	120P0625	3
BOLT-FLANGED (Ref # 130)	130H0620	2
STATOR (Ref # 21003)	21003-1214	1
FLYWHEEL (Ref # 21050)	21050-1146	1
REGULATOR-VOLTAGE (Ref # 21066)	21066-1089	1
KEY,WOODRUFF (Ref # 92038)	92038-001	1
BOLT,10X32 (Ref # 92150)	92150-1134	1
WASHER,10X30X4 (Ref # 92200)	92200-1185	1