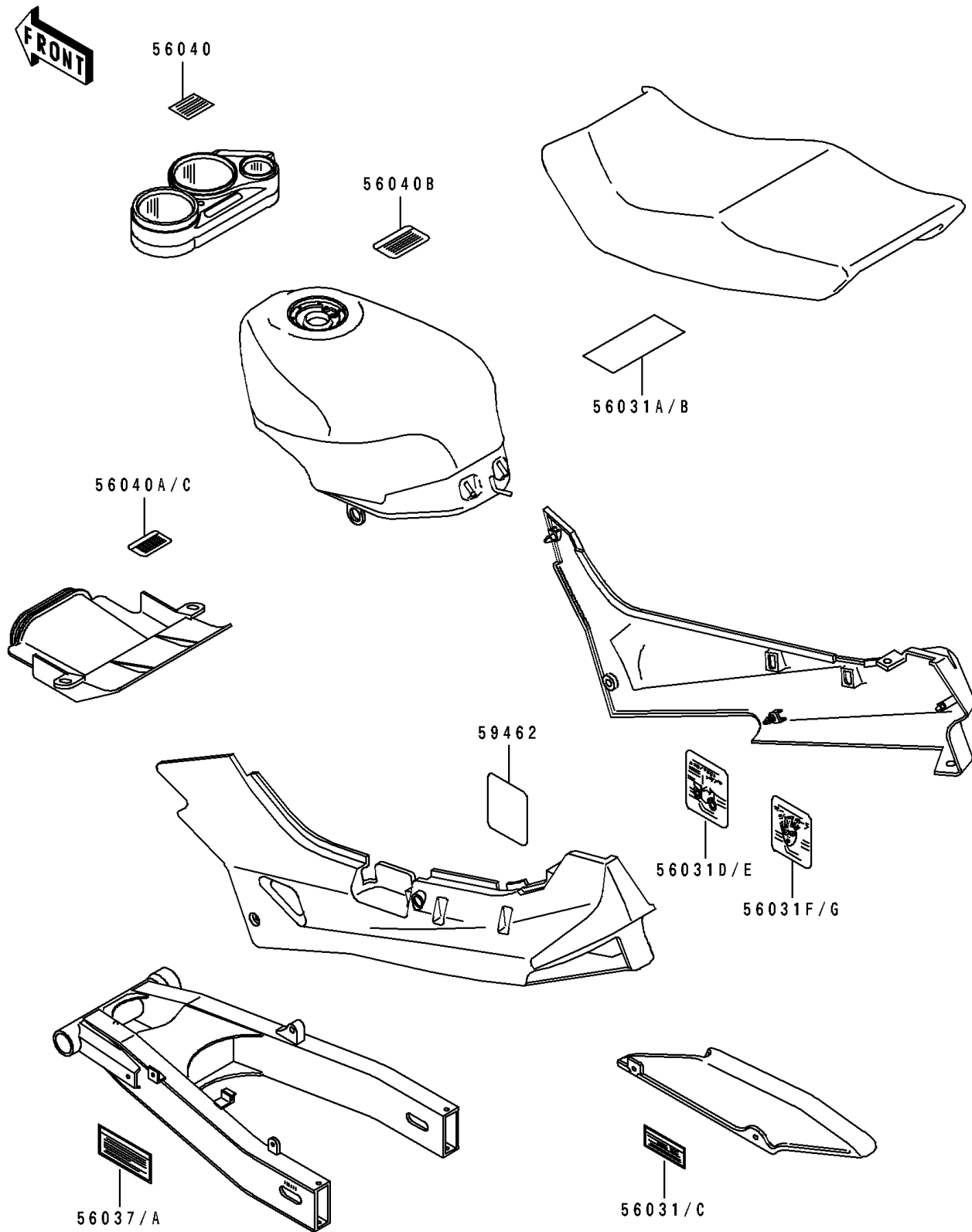


1991 Ninja® ZX™-6 PARTS DIAGRAM

Label

F 2860



1991 Ninja® ZX™-6 PARTS LIST

Label

ITEM NAME	PART NUMBER	QUANTITY
LABEL-MANUAL,CHAIN (Ref # 56031)	56031-1512	1
LABEL-MANUAL,OIL&OIL FILTER (Ref # 56031A)	56031-1696	1
LABEL-MANUAL,OIL&OIL FILTER (Ref # 56031B)	56031-1697	1
LABEL-MANUAL,CHAIN (Ref # 56031C)	56031-1700	1
LABEL-MANUAL,DAILY SAFETY (Ref # 56031D)	56031-1701	1
LABEL-MANUAL,DAILY SAFETY (Ref # 56031E)	56031-1702	1
LABEL-MANUAL,BATTERY VENT (Ref # 56031F)	56031-1704	1
LABEL-MANUAL,BATTERY VENT (Ref # 56031G)	56031-1705	1
LABEL-SPECIFICATION,TIRE&LOAD (Ref # 56037)	56037-1506	1
LABEL-SPECIFICATION,TIRE&LOAD (Ref # 56037A)	56037-1507	1
LABEL-WARNING,BREAK IN CAUTION (Ref # 56040)	56040-1007	1
LABEL-WARNING,AIR INTAKE (Ref # 56040A)	56040-1014	1
LABEL-WARNING,EVAPO (Ref # 56040B)	56040-1121	1
LABEL-WARNING,AIR INTAKE (Ref # 56040C)	56040-1313	1
LABEL-CERTIFICATION,EVAPO ROUT (Ref # 59462)	59462-1182	1