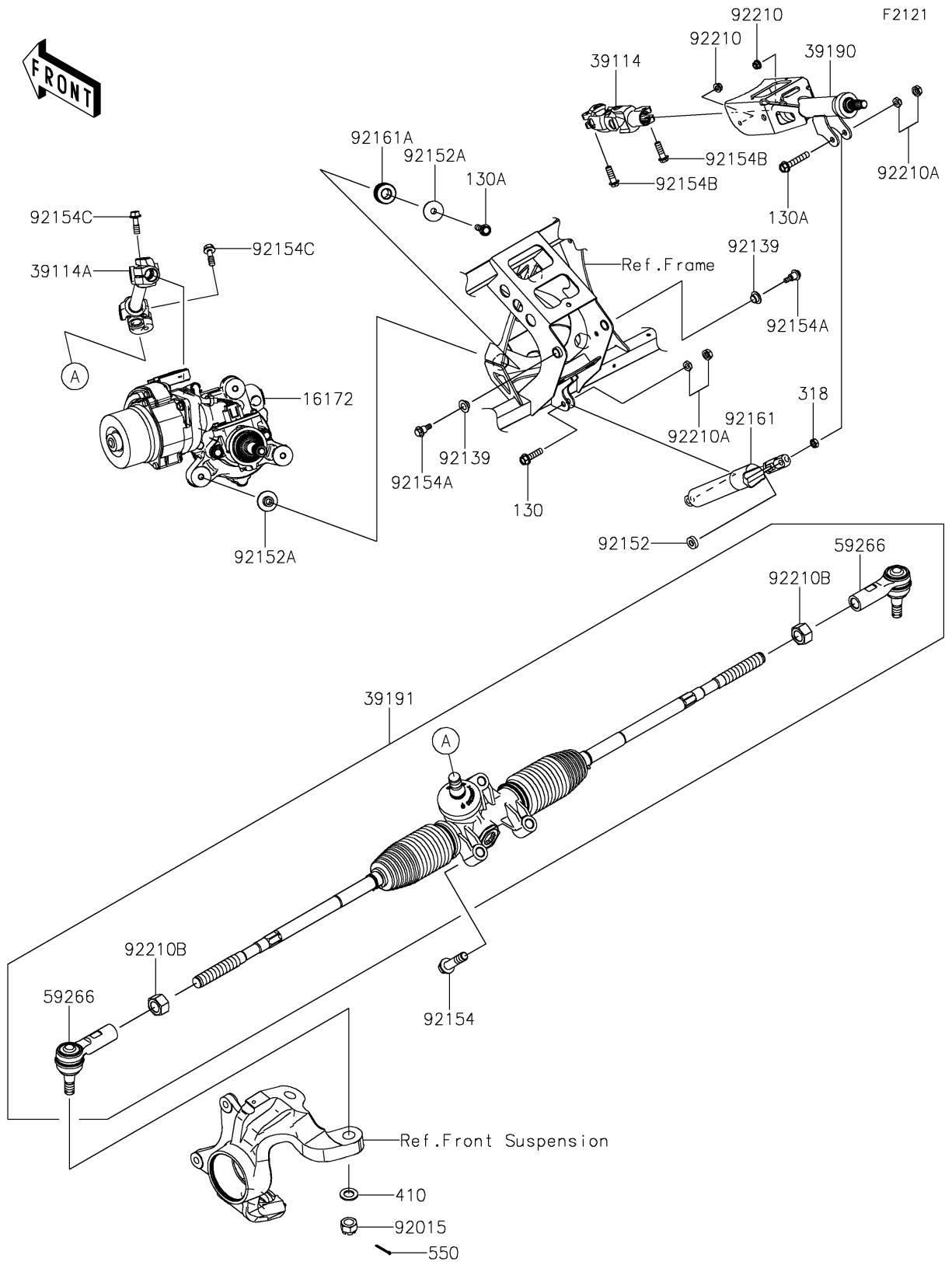


# 2024 Teryx KRX® 4 1000 SE PARTS DIAGRAM

## Steering Shaft



## 2024 Teryx KRX® 4 1000 SE PARTS LIST

### Steering Shaft

| ITEM NAME                             | PART NUMBER | QUANTITY |
|---------------------------------------|-------------|----------|
| ACTUATOR, EPS (Ref # 16172)           | 16172-0043  | 1        |
| SHAFT-COMP-STRG, UPP (Ref # 39114)    | 39114-0024  | 1        |
| SHAFT-COMP-STRG, LWR (Ref # 39114A)   | 39114-0043  | 1        |
| SHAFT-ASSY-STEERING (Ref # 39190)     | 39190-0009  | 1        |
| GEAR-ASSY-STEERING (Ref # 39191)      | 39191-0040  | 1        |
| JOINT-BALL (Ref # 59266)              | 59266-0743  | 2        |
| NUT, CASTLE, 14MM (Ref # 92015)       | 92015-1841  | 2        |
| BUSHING (Ref # 92139)                 | 92139-0230  | 2        |
| COLLAR, 8.2X18X5 (Ref # 92152)        | 92152-1848  | 1        |
| COLLAR, 8.5X30X10.6 (Ref # 92152A)    | 92152-2149  | 6        |
| BOLT, FLANGED, 12X50 (Ref # 92154)    | 92154-1008  | 3        |
| BOLT, 6X21.5 (Ref # 92154A)           | 92154-1320  | 2        |
| BOLT, FLANGED, 8X25 (Ref # 92154B)    | 92154-2190  | 2        |
| BOLT, FLANGED, 8X39 (Ref # 92154C)    | 92154-7043  | 2        |
| DAMPER, STEERING TILT (Ref # 92161)   | 92161-2186  | 1        |
| DAMPER (Ref # 92161A)                 | 92161-2187  | 3        |
| NUT, LOCK, FLANGED, 6MM (Ref # 92210) | 92210-0303  | 2        |
| NUT, HARD LOCK, 8MM (Ref # 92210A)    | 92210-0934  | 2        |
| NUT (Ref # 92210B)                    | 92210-1903  | 2        |
| BOLT-FLANGED, 8X30 (Ref # 130)        | 130CA0830   | 1        |
| BOLT-FLANGED, 8X45 (Ref # 130A)       | 130CA0845   | 4        |
| NUT-HEX-SMALL, 8MM (Ref # 318)        | 318BA0800   | 1        |
| WASHER-PLAIN-SMALL, 14MM (Ref # 410)  | 410AA1400   | 2        |
| PIN-COTTER, 3.0X25 (Ref # 550)        | 550AA3025   | 2        |