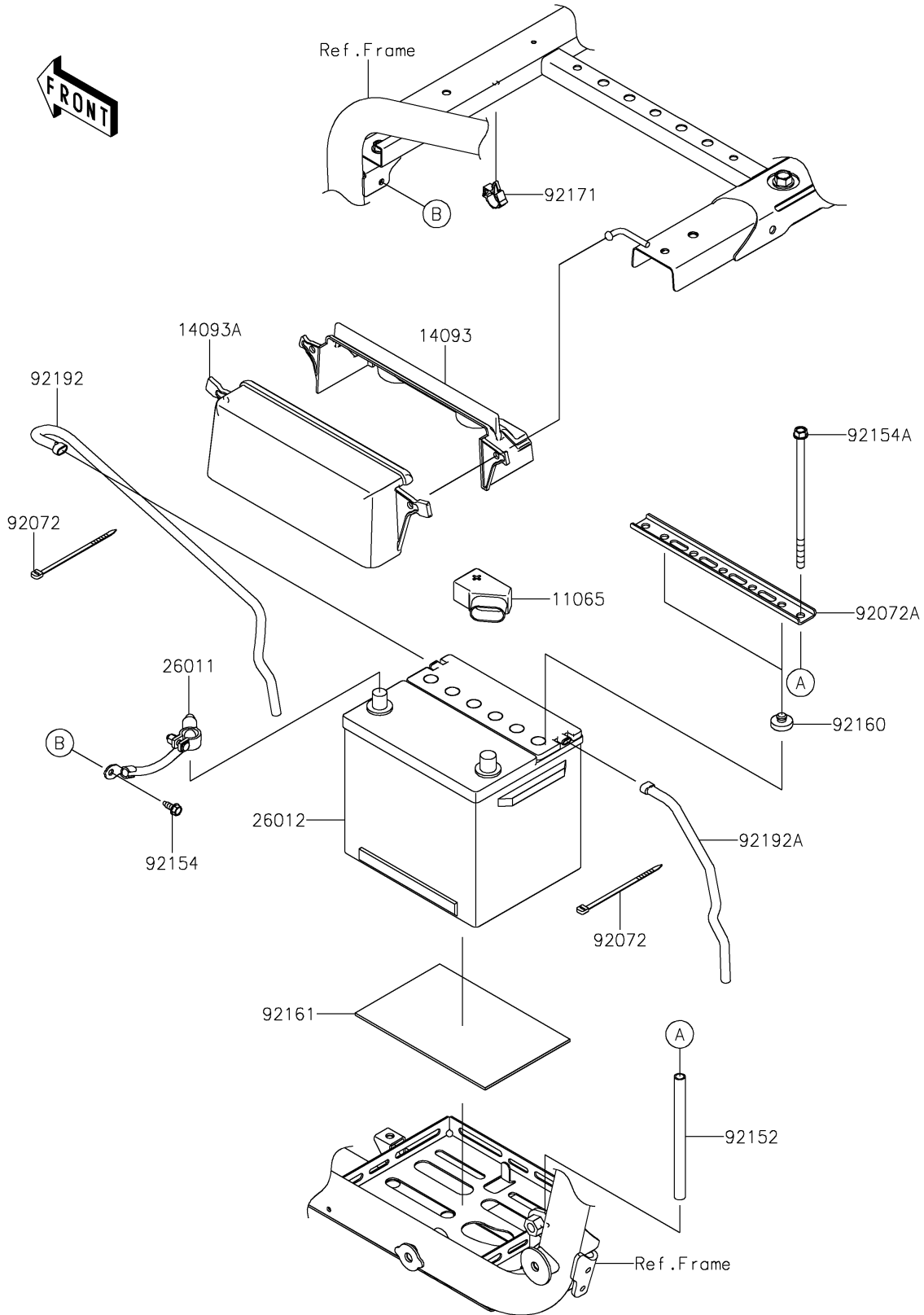


2024 TERYX KRX® 1000 SE PARTS DIAGRAM

Battery

F2761



2024 TERYX KRX® 1000 SE PARTS LIST

Battery

ITEM NAME	PART NUMBER	QUANTITY
CAP (Ref # 11065)	11065-0850	1
COVER,BATTERY TERMINAL,INNER (Ref # 14093)	14093-0800	1
COVER,BATTERY TERMINAL,OUTER (Ref # 14093A)	14093-0801	1
WIRE-LEAD,BATTERY(-) (Ref # 26011)	26011-1871	1
BATTERY,WET,(26R) (Ref # 26012)	26012-7501	1
BAND,92X2.4 (Ref # 92072)	92072-0791	2
BAND,BATTERY (Ref # 92072A)	92072-0844	1
COLLAR,9.4X12.7X160 (Ref # 92152)	92152-2584	1
BOLT,FLANGED,6X16 (Ref # 92154)	92154-0551	1
BOLT,FLANGED,8X175 (Ref # 92154A)	92154-3973	2
DAMPER (Ref # 92160)	92160-1396	2
DAMPER (Ref # 92161)	92161-0578	1
CLAMP,BRAKE HOSE (Ref # 92171)	92171-0316	1
TUBE,BREATHER,7X10X500 (Ref # 92192)	92192-2256	1
TUBE,BREATHER,7X10X300 (Ref # 92192A)	92192-2257	1