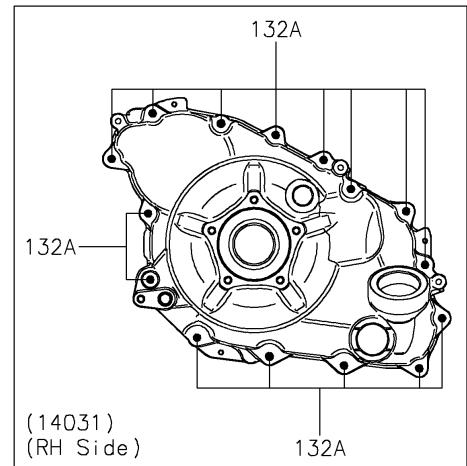
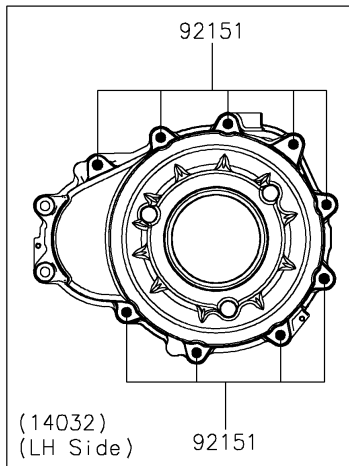
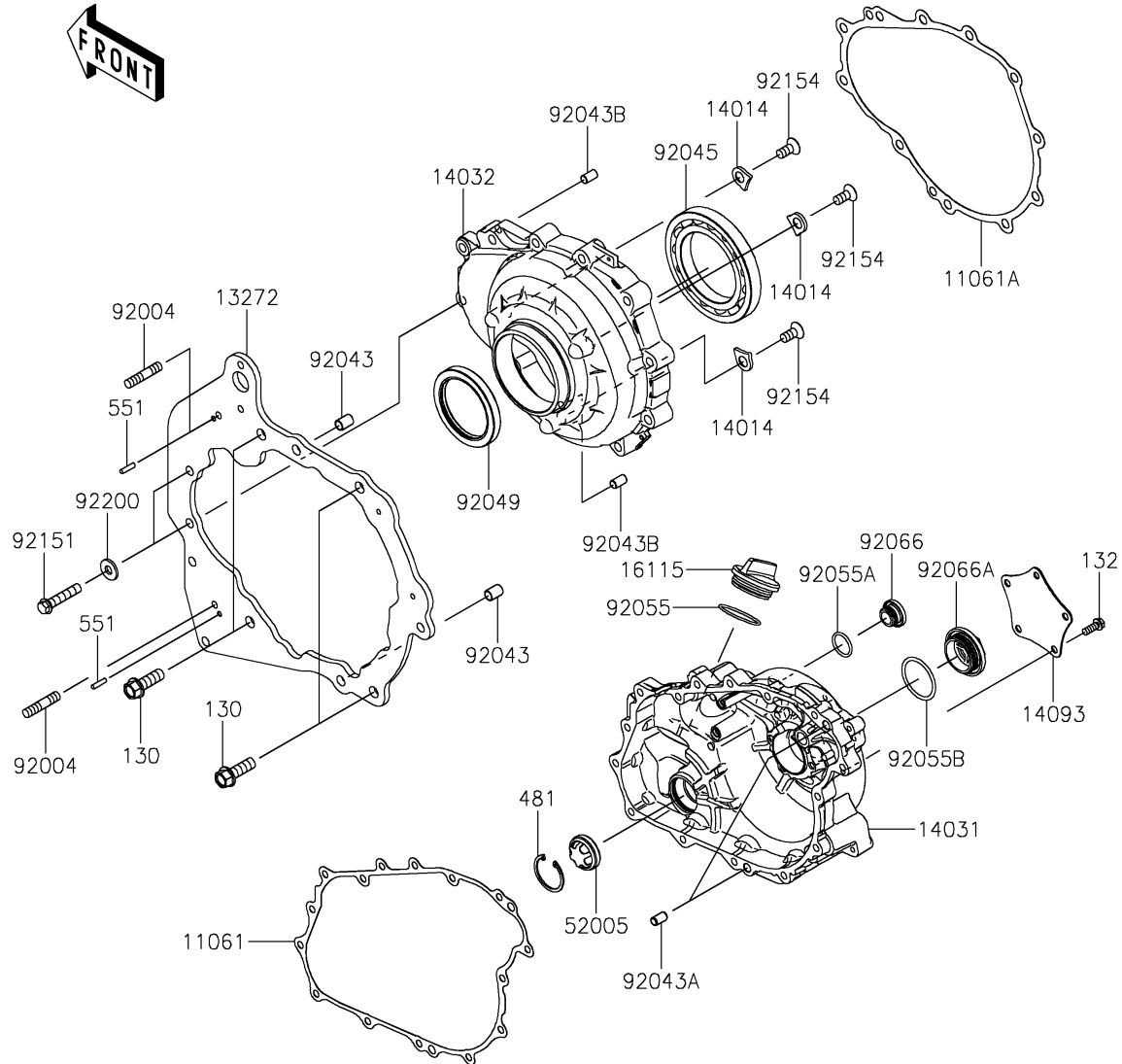


2024 TERYX KRX® 1000 SE PARTS DIAGRAM

Engine Cover(s)

E1431



2024 TERYX KRX® 1000 SE PARTS LIST

Engine Cover(s)

| ITEM NAME | PART NUMBER | QUANTITY |
|---------------------------------------|-------------|----------|
| GASKET,GENERATOR COVER (Ref # 11061) | 11061-1304 | 1 |
| GASKET,CLUTCH COVER (Ref # 11061A) | 11061-1305 | 1 |
| PLATE,CLUTCH COVER,BACK (Ref # 13272) | 13272-2799 | 1 |
| PLATE-POSITION (Ref # 14014) | 14014-0556 | 3 |
| COVER-GENERATOR (Ref # 14031) | 14031-0639 | 1 |
| COVER-CLUTCH (Ref # 14032) | 14032-0646 | 1 |
| COVER,GENERATOR,OUTER (Ref # 14093) | 14093-0794 | 1 |
| CAP-OIL FILLER (Ref # 16115) | 16115-1064 | 1 |
| GAUGE,OIL (Ref # 52005) | 52005-0766 | 1 |
| STUD,8X30 (Ref # 92004) | 92004-0790 | 2 |
| PIN,DOWEL,10X14 (Ref # 92043) | 92043-1037 | 2 |
| PIN,6.2X8X14 (Ref # 92043A) | 92043-1263 | 2 |
| PIN,8X14 (Ref # 92043B) | 92043-1567 | 2 |
| BEARING-BALL,16014CS45 (Ref # 92045) | 92045-0709 | 1 |
| SEAL-OIL,HTC 59X77X9 (Ref # 92049) | 92049-0820 | 1 |
| RING-O,37.2X1.9 (Ref # 92055) | 92055-0959 | 1 |
| RING-O,20X2 (Ref # 92055A) | 92055-1146 | 1 |
| RING-O,35.8MM (Ref # 92055B) | 92055-1281 | 1 |
| PLUG,COVER (Ref # 92066) | 92066-0011 | 1 |
| PLUG,36X7.5 (Ref # 92066A) | 92066-0744 | 1 |
| BOLT,8X40 (Ref # 92151) | 92151-1621 | 11 |
| BOLT,FLAT,8X13.6 (Ref # 92154) | 92154-0978 | 3 |
| WASHER,8.5X18X2.3 (Ref # 92200) | 92200-1213 | 2 |
| BOLT-FLANGED,10X30 (Ref # 130) | 130BA1030 | 4 |
| BOLT-FLANGED-SMALL,6X16 (Ref # 132) | 132BA0616 | 5 |
| BOLT-FLANGED-SMALL,6X30 (Ref # 132A) | 132BA0630 | 15 |
| CIRCLIP (Ref # 481) | 481J3400 | 1 |
| PIN-DOWEL,4X16 (Ref # 551) | 551A0416 | 2 |