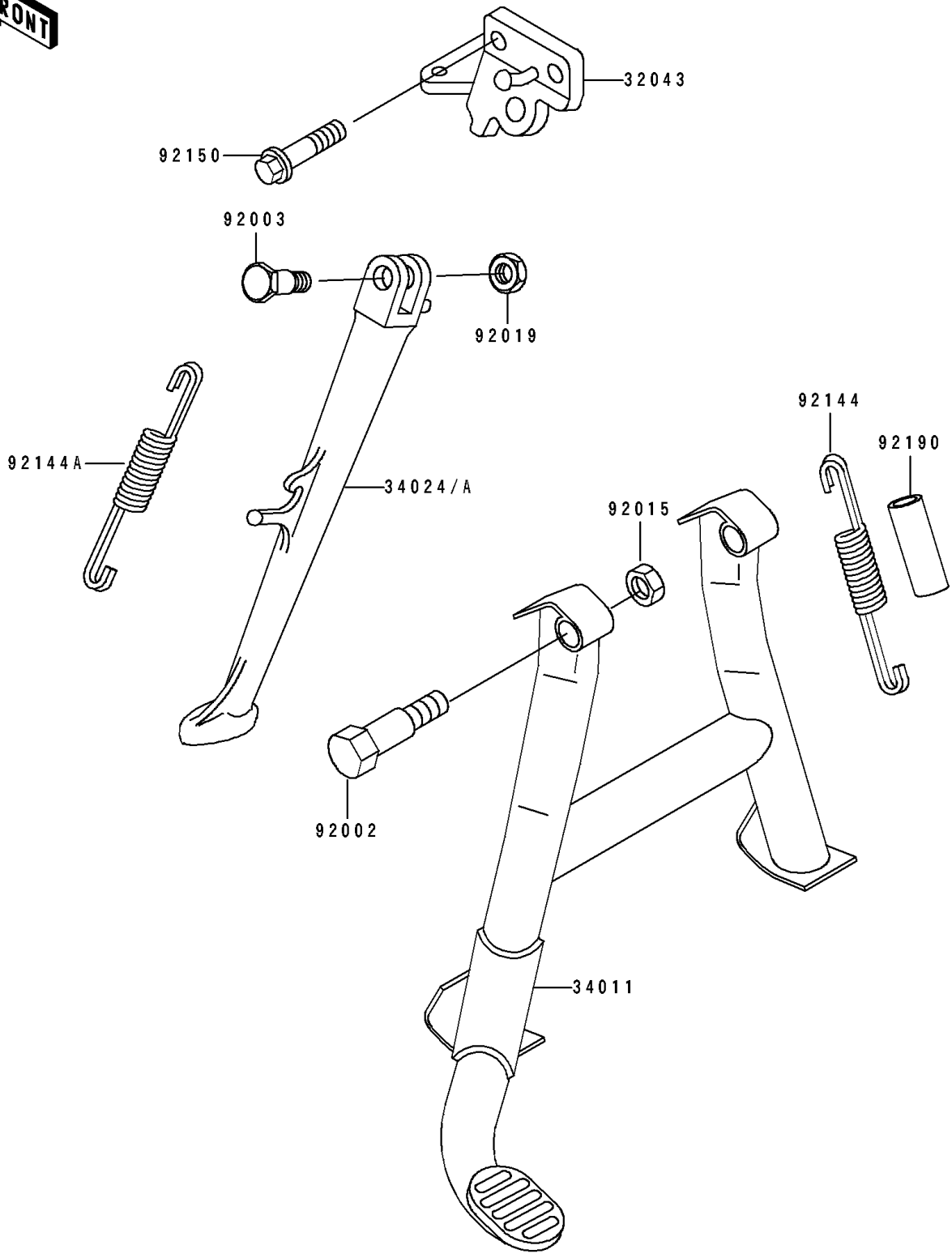


# 1993 Ninja® ZX™ -6 PARTS DIAGRAM

Stand

F2190



# 1993 Ninja® ZX™ -6 PARTS LIST

## Stand

ITEM NAME	PART NUMBER	QUANTITY
BRACKET-STAND,SIDE (Ref # 32043)	32043-1354	1
STAND-CENTER (Ref # 34011)	34011-1147	1
STAND-SIDE,G.GRAY (Ref # 34024A)	34024-1269-HN	1
BOLT,CENTER STAND (Ref # 92002)	92002-1518	2
BOLT,SIDE STAND (Ref # 92003)	92003-157	1
NUT,LOCK,10MM,BLACK (Ref # 92015)	92015-1188	2
NUT,LOCK,10MM (Ref # 92019)	92019-021	1
SPRING,CENTER STAND (Ref # 92144)	92144-1098	1
SPRING,SIDE STAND (Ref # 92144A)	92144-1335	1
BOLT,FLANGED,10X47 (Ref # 92150)	92150-1418	2
TUBE,18X21X60 (Ref # 92190)	92190-1181	1