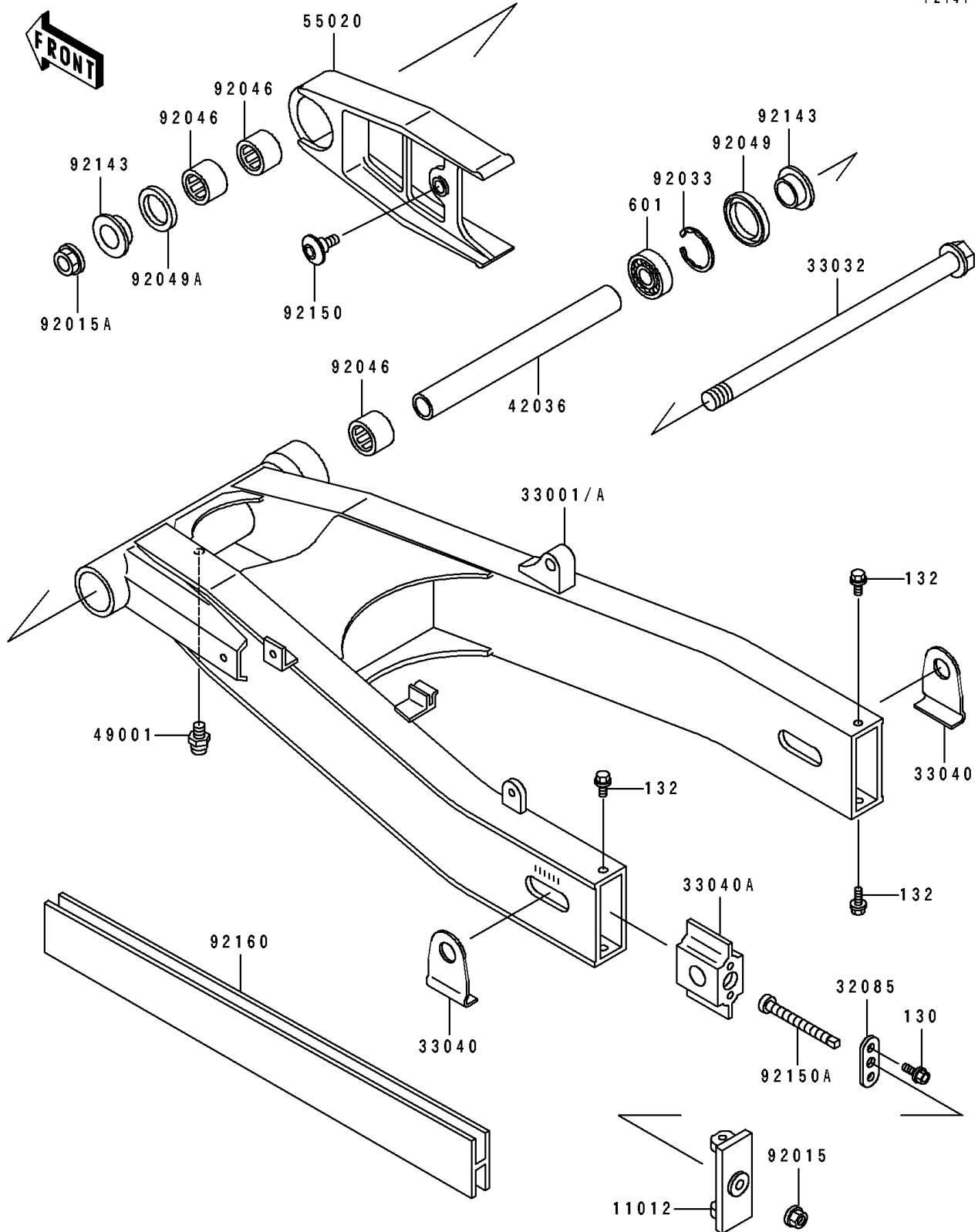


1993 Ninja® ZX™ -6 PARTS DIAGRAM

Swing Arm

F2141



1993 Ninja® ZX™ -6 PARTS LIST

Swing Arm

| ITEM NAME | PART NUMBER | QUANTITY |
|--|---------------|----------|
| CAP,CHAIN ADJUSTER (Ref # 11012) | 11012-1704 | 2 |
| STOPPER,CHAIN ADJUSTER (Ref # 32085) | 32085-1317 | 2 |
| ARM-COMP-SWING,G.GRAY (Ref # 33001A) | 33001-1356-HN | 1 |
| SHAFT-SWING ARM (Ref # 33032) | 33032-1152 | 1 |
| ADJUSTER-CHAIN,OUTSIDE (Ref # 33040) | 33040-1094 | 2 |
| ADJUSTER-CHAIN,INSIDE (Ref # 33040A) | 33040-1103 | 2 |
| SLEEVE,SWING ARM,L=203.5 (Ref # 42036) | 42036-1266 | 1 |
| NIPPLE-GREASE (Ref # 49001) | 49001-1051 | 1 |
| GUARD,CHAIN (Ref # 55020) | 55020-1370 | 1 |
| NUT,8MM (Ref # 92015) | 92015-1143 | 2 |
| NUT,FLANGED,20MM (Ref # 92015A) | 92015-1724 | 1 |
| RING-SNAP,42MM (Ref # 92033) | 92033-1041 | 1 |
| BEARING-NEEDLE,BM283417 (Ref # 92046) | 92046-1111 | 3 |
| SEAL-OIL,MHSA25 42 6 (Ref # 92049) | 92049-1314 | 1 |
| SEAL-OIL (Ref # 92049A) | 92049-1352 | 1 |
| COLLAR,SWING ARM,L=12.5 (Ref # 92143) | 92143-1227 | 2 |
| BOLT,SOCKET,6MM (Ref # 92150) | 92150-1154 | 1 |
| BOLT,CHAIN ADJUSTER (Ref # 92150A) | 92150-1285 | 2 |
| DAMPER,SWING ARM (Ref # 92160) | 92160-1174 | 1 |
| BOLT-FLANGED (Ref # 130) | 130B0614 | 4 |
| BOLT-FLANGED-SMALL (Ref # 132) | 132G0612 | 4 |
| BEARING-BALL,#6004 (Ref # 601) | 601A6004 | 1 |